



# DUMP CART

*ADDS SPEED, EFFICIENCY, AND COST SAVINGS  
TO PEANUT HARVESTING!*



*AVAILABLE  
MODELS:  
4810  
4815  
4825  
4830*



# DUMP CART FEATURES



- OUR SPECIAL EXPANDED METAL DUMP LIP AND DIRT CATCH PAN RESULTS IN LESS SOIL BEING COLLECTED IN THE DRYER WAGON OR SEMI DURING DUMPING.
- LARGE EXPANDED METAL VIEWING PANELS ARE BUILT IN FOR IMPROVED FILLING VISIBILITY AND TRANSPORT SAFETY.



**THE KMC DUMP CART WORKS GREAT WITH MANY OTHER COMMODITIES SUCH AS GRAIN, SAGE, CARROTS, AND PRODUCE! \*\***

**\*\* ONLY MODELS 4810 & 4825  
OPTIONAL GRAIN PANELS AVAILABLE**



## THE ANSWER TO FAST, CONTINUOUS PEANUT HARVESTING!



*TEAM UP WITH A KMC 4 OR 6 ROW UNLOAD-ON-THE-GO COMBINE AND YOU'VE GOT ONE OF THE WORLD'S FASTEST SYSTEMS FOR PEANUT HARVESTING. UP TO TWO FULL COMBINE LOADS CAN BE EMPTIED VIA HYDRAULIC CONVEYOR INTO THE DUMP CART AND TRANSPORTED TO DRYER WAGONS OR SEMIS, WITH NO STOPPING OR LOSS OF TIME FOR DUMPING! DUMPING HEIGHTS UP TO 16'1" ALLOWS UNLOADING INTO EITHER TYPE OF CONVEYANCE AND THE DUMP CHUTE EXTENDS WELL INTO EITHER FOR UNIFORM LOADING AND LESS SPILLAGE RISK.*



**HEAVY DUTY AXLE TUBE**



**REINFORCED FRONT TO REAR  
FRAME SUPPORT**



**HEAVY DUTY TUBE:  
3X8X3/8 WALL**



**OPTIONAL LIP**

**SIGNIFICANTLY REDUCES  
SPILLING!**



**KELLEY MANUFACTURING CO. TIFTON, GEORGIA  
1-800-444-5449 [www.kelleymfg.com](http://www.kelleymfg.com)**



# 4 MODELS AVAILABLE FOR YOU TO CHOOSE FROM



*MODELS 4830 & 4815 ARE EQUIPPED WITH ADDITIONAL CLEANING SCREENS TO FURTHER REDUCE THE AMOUNT OF SOIL COLLECTED IN WAGON OR SEMI (SEE ABOVE).*



*MODEL 4825*



*4810 HARVESTING GRAIN*

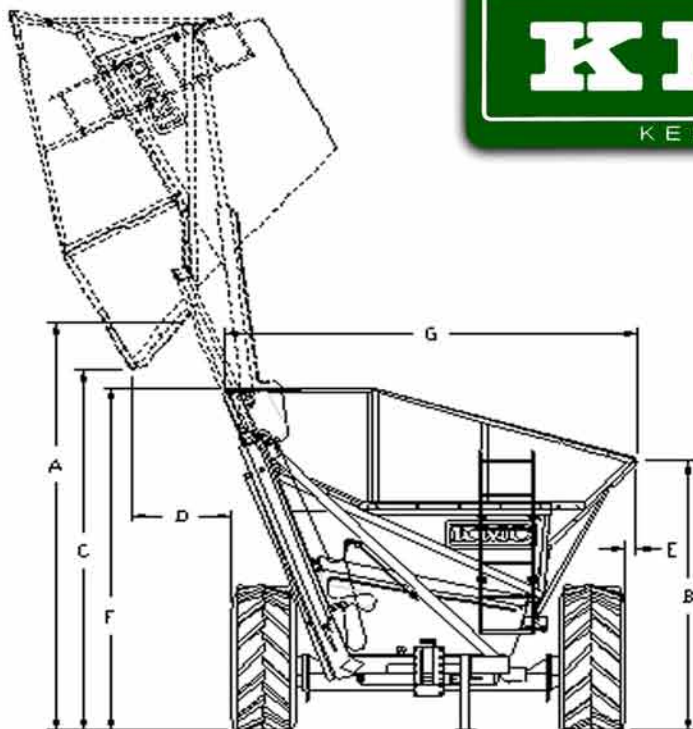


**KMC**

KELLEY

*IF YOU'RE SEARCHING FOR A DUMP CART THAT YOU CAN USE NOT ONLY FOR PEANUTS, BUT ALSO FOR MANY OTHER CROPS, LOOK NO FURTHER! OUR MODELS 4810 & 4825 ARE JUST FOR YOU!!*

# SPECIFICATIONS



## MODELS: / 4810 / 4815 / 4825 / 4830

Max. Capacity (Peanuts)	750 cu ft (600 bushels)	750 cu ft (600 bushels)	950 cu ft (760 bushels)	950 cu ft (760 bushels)
Max. Capacity (Grain)	18,000 lbs (300 bushels)	18,000 lbs (300 bushels)	18,000 lbs (300 bushels)	18,000 lbs (300 bushels)
A- Max. Dumping Height*	15 ft, 5 in. to 16 ft, 1 in.	15 ft, 5 in. to 16 ft, 1 in.	15 ft, 5 in.	15 ft, 5 in.
B- Loading Height*	9 ft, 4 in. to 10 ft	9 ft, 4 in. to 10 ft	9 ft, 4 in.	9 ft, 4 in.
C- Max. Dump Lip Height	14 ft, 2 in. to 14 ft, 10 in.	14 ft, 2 in. to 14 ft, 10 in.	14 ft, 2 in.	14 ft, 2 in.
D- Max. Dump Lip Clearance	3 ft, 4 in.	3 ft, 4 in.	3 ft, 3 in.	3 ft, 3 in.
E- Fill Lip Overhang	3.75 in.	3.75 in.	3.75 in.	3.75 in.
F- Transport Height*	11 ft, 4 in. to 12 ft	11 ft, 4 in. to 12 ft	11 ft, 4 in.	11 ft, 4 in.
G-Transport Width	12 ft, 8 in.	12 ft, 8 in.	12 ft, 8 in.	12 ft, 8 in.
Tire Size	23.1- 26 10 ply cleated	23.1- 26 10 ply cleated	23.1- 26 10 ply cleated	23.1- 26 10 ply cleated
Wheel Base (Center- Center)	10 ft, 3 in.	10 ft, 3 in.	10 ft, 4 in.	10 ft, 4 in.
Wheel Base (Outside- Outside)	12 ft, 3 in.	12 ft, 3 in.	12 ft, 4 in.	12 ft, 4 in.
Overall Length	21 ft	21 ft	24 ft	24 ft
Shipping Weight	10,325 lbs	10,725 lbs	12,400 lbs	12,900 lbs

\*HEIGHTS DEPEND ON WHEEL SPINDLE POSITION (ADJUSTABLE IN 4" INCREMENTS).

\*DIMENSIONS ARE FOR PEANUT PANELS. CONSULT KMC ENGINEERING FOR DIMENSIONS WITH OTHER PANELS.



1-800-444-5449  
www.kelleymfg.com