



**42-SERIES**

**4265LPD**

**POULTRY HOUSE CLEANER**

**DUMP STYLE**

**PARTS BOOK**



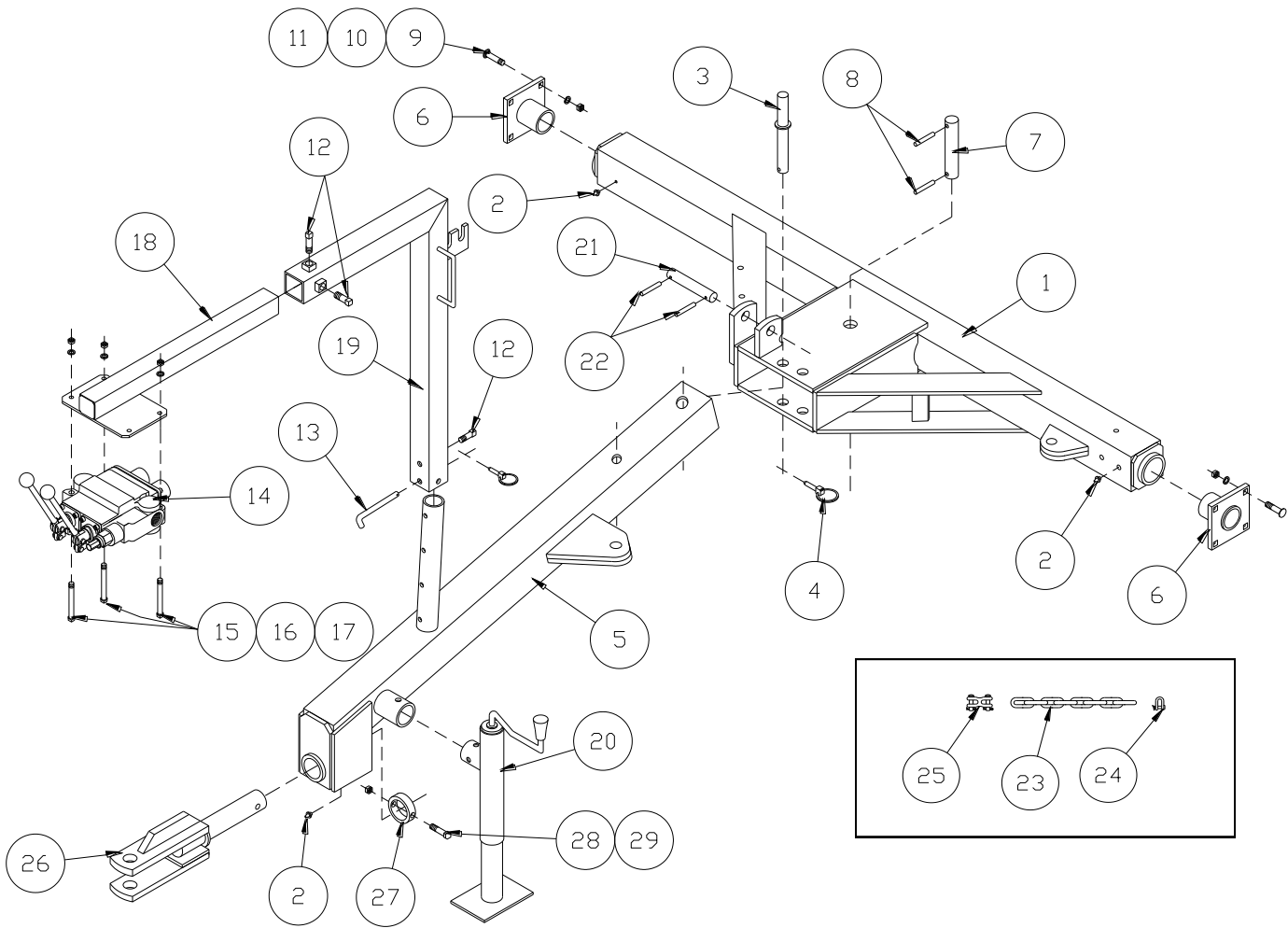
PART NO. 42-PB-05  
PRINTING DATE: JUN 2017



# TABLE OF CONTENTS

UPPER AND LOWER TONGUE .....	2-3
PUMP/GEAR BOX & TORQUE ARM .....	3
CONTROL VALVE HYDRAULICS .....	4
ELECTRICAL HYDRAULIC DUMP CONTROL .....	5
DUMP CONTROL HARNESS .....	6-7
DOUBLE SPOOL 4-WAY SOLENOID VALVE .....	7
ELECTRICAL RETRO DUMP KIT .....	8
PTO PUMP HYDRAULICS.....	9
DIRECTIONAL VALVE.....	10
PHC PUMP GEAR BOX.....	10-11
GEAR PUMP.....	11
FRONT COMPONENTS OF CLEANER.....	12
FLOW CONTROL & REEDER REEL MOTOR HYDRAULICS .....	13
FEEDER REEL MOTOR .....	14
HYDRAULIC CYLINDER, 3 X 6 X 1.125 (BAILEY).....	15
HYDRAULIC CYLINDER, 3 X 6 (ENERGY) .....	15
RESERVOIR PLUMBING.....	16-17
TONGUE CYLINDER & HOSES .....	17
FEEDER REEL BEARINGS AND DRIVES.....	18-19
FEEDER REEL ( <b>Used on Machines Prior to 2010</b> ).....	20
FEEDER REEL ( <b>Used on Machines From 2010 to Present</b> ) .....	20
CONVEYOR TROUGH AND IDLER SHAFT .....	21
MAIN FRAME & TANK.....	22-23
DOOR MECHANISM.....	23
PLUMBING FOR DUMP TANK CYLINDERS.....	24
HYDRAULIC CYLINDERS, 3 X 43 x 1.75 (BAILEY).....	25
HYDRAULIC CYLINDERS, 3 X 43 (ENERGY).....	25
SINGLE AXLE AND WHEELS.....	26-27
TANDEM ARM AND WHEELS.....	28-29
TANDEM AXLE.....	29
CONVEYOR SIFTER FRAME.....	30-31
SEAL, BLOCKS, AND BUMP PADS .....	31
SIFTER FRAME POLYETHYLENE PANELS (For Total Cleanout) .....	32
SIFTER MOTOR HYDRAULICS .....	32
SIFTER MOTOR .....	33
LEVELER FRAME.....	34-35
LEVELER CHAIN .....	35
LEVELER MOTOR HYDRAULICS .....	36
LEVELER MOTOR.....	37
FRONT LOWER SHIELDS.....	38
FRONT UPPER SHIELDS .....	39
REAR SHIELD .....	39
HYDRAULIC SCHEMATIC.....	40-41

## UPPER AND LOWER TONGUE

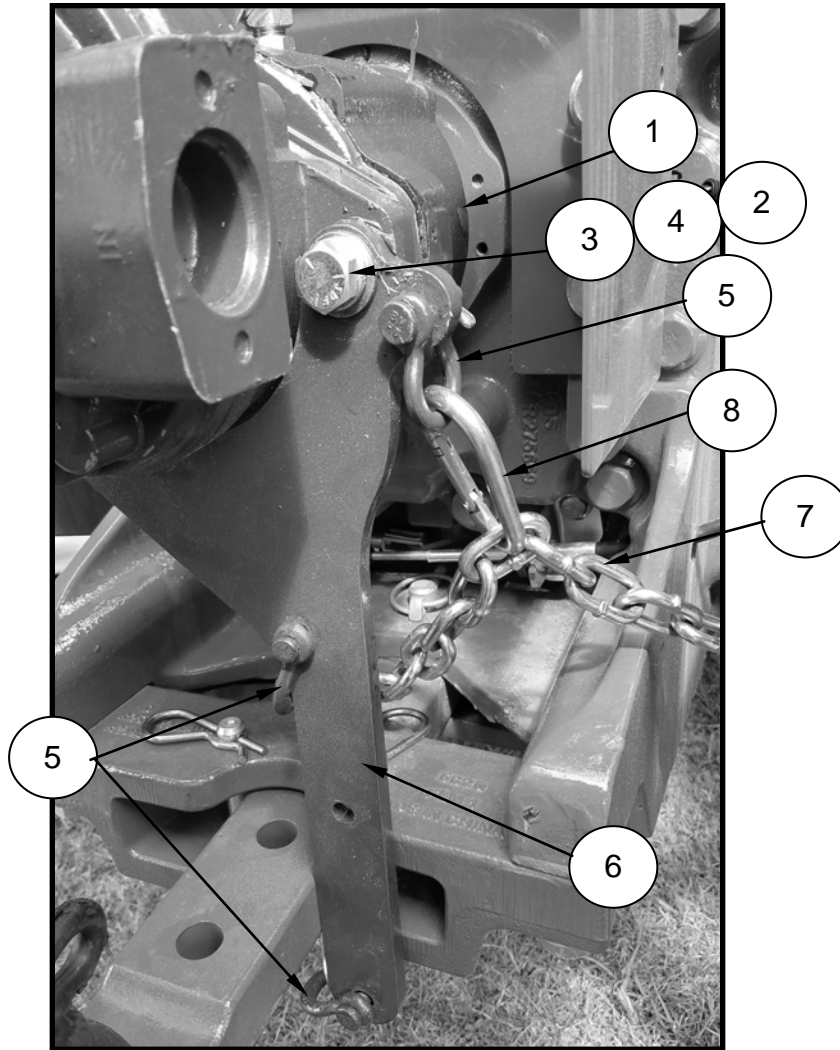


ITEM	PART NO	SERIAL NO OR YR	DESCRIPTION	QTY
1	42-080-171		TONGUE, UPPER	1
2	02-050-005		FITTING, 1/4-28 STRT	3
3	42-080-060		PIN, POSITION	1
4	02-050-062		PIN, 1/4 X 1 5/8 LYNCH	1
5	42-080-229		TONGUE, LOWER	1
6	42-080-172		PIVOT, UPPER TONGUE	2
7	42-026-004		PIN, SWIVEL	1
8	42-050-010		PIN, 3/8 X 2 ROLL	2
9	52-050140		CARRIAGE SCREW, 1/2 X 1 1/2 G5 PLT	8
10	66-010250		LOCKWASHER, 1/2 PLT	8
11	68-010250		HEX NUT, 1/2 PLT	8
12	54-010250		SETSCREW, 1/2 X 1 SQ HD CUPPT	3
13	04-050-134		PIN, 1/2" BENT HITCH	1

ITEM	PART NO	SERIAL NO OR YR	DESCRIPTION	QTY
14	42-061-175		VALVE, DIRECTIONAL	1
15	48-090210		CAPSCREW, 3/8 X 2 1/4 G5 PLT	3
16	68-010150		HEX NUT, 3/8 PLT	3
17	66-010150		LOCKWASHER, 3/8 PLT	3
18	42-080-203		EXTENSION, CONTROL ARM	1
19	42-080-097		ARM, CONTROL (2 X 2)	1
20	42-050-019		JACK SWIVEL (5000 #)	1
21	21-026-007		PIN, 1" CLEVIS	1
22	02-050-007		PIN, 1/4 X 1 1/2 ROLL	2
23	33-050-140		CHAIN, 27 LINKS SAFETY	1
24	33-080-181		CHAIN SHACKLE, 3/8	1
25	33-050-139		DOUBLE CLEVIS LINK, 3/8	1
*26	42-080-223		SWIVEL, YOKE	1
*27	42-024-053		STOP, PIN	1
*28	48-090850		CAPSCREW, 1/2 X 4 G5 PLT	1
*29	72-010100		LOCKNUT, 1/2 STOVER	1

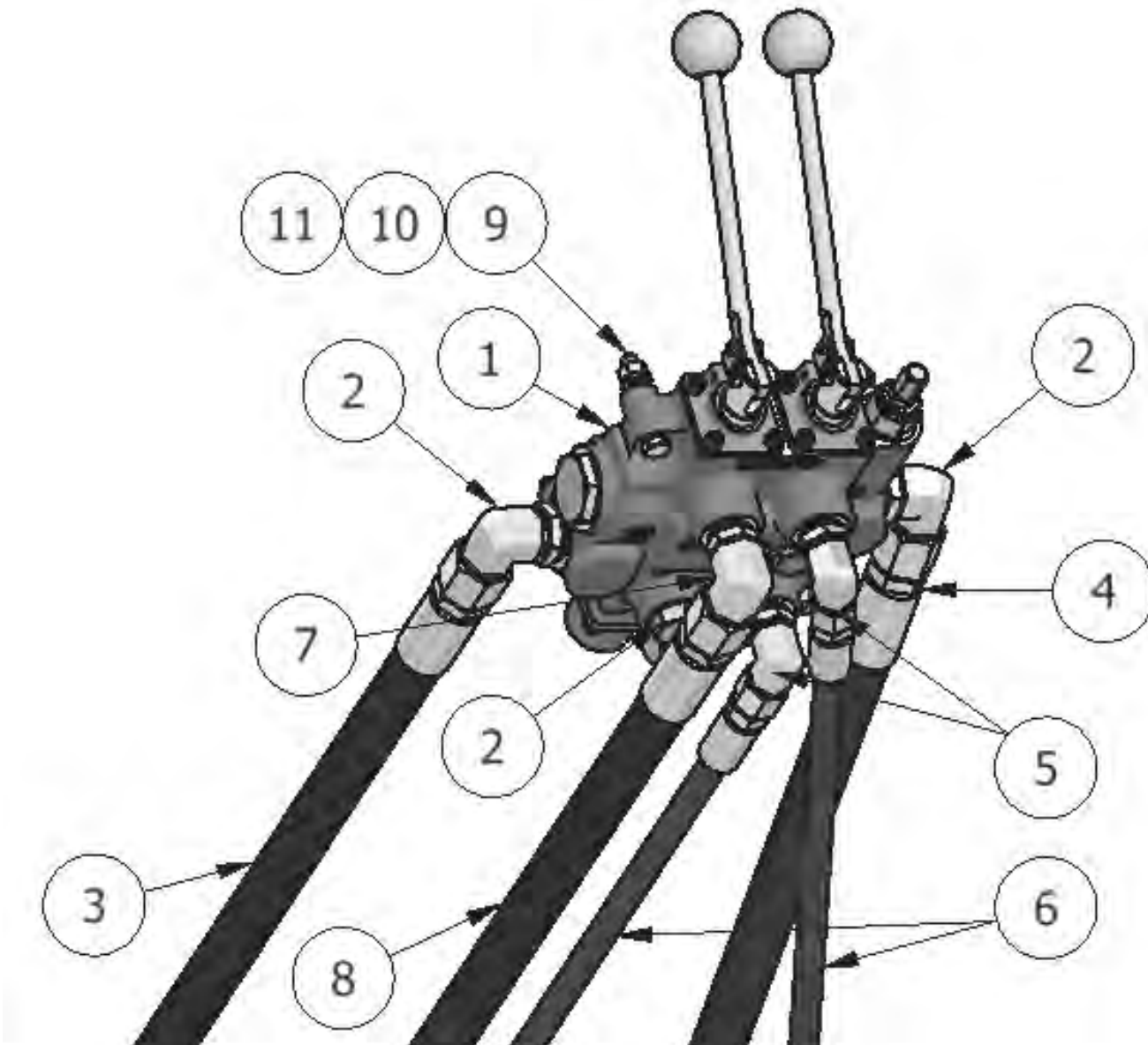
\* THESE ITEMS MAKE UP 42-081-036

## 2.85 PUMP/GEAR BOX & TORQUE ARM



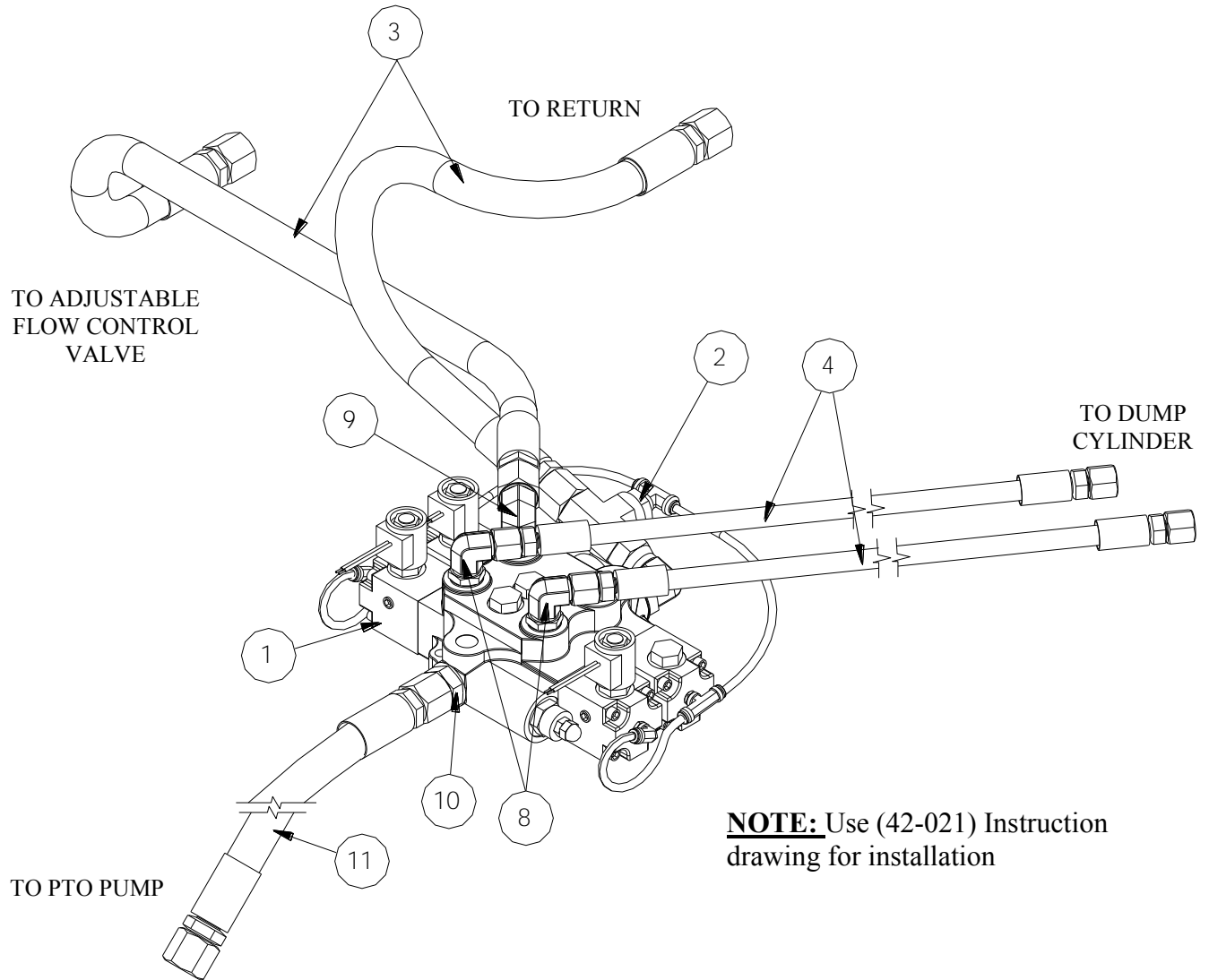
ITEM	PART NO	SERIAL NO OR YR	DESCRIPTION	QTY
1	42-061-013		PUMP, (2.85) PTO GEAR BOX &	1
	42-061-047		GEAR BOX	1
	42-061-039		PUMP, HYD GEAR (2.85)	1
2	17-050-003		FLATWASHER, 1/2 HARDENED	2
3	48-090600		CAPSCREW, 1/2 X 2 G5 PLT	2
4	66-010250		LOCKWASHER, 1/2 REG	2
5	20-050-043		SHACKLE	3
6	42-027-326		YOKE, TORQUE ARM	1
7	03-050-092		CHAIN	1
8	42-050-086		SPRING HOOK, 80MM	1

## CONTROL VALVE HYDRAULICS



ITEM	PART NO	SERIAL NO OR YR	DESCRIPTION	QTY
1	42-061-175		VALVE, DIRECTIONAL	1
2	42-059-095		ADAPTER, 12MB-12MJ-90°	2
3	42-059-033		HOSE, 12M3K-12FJX-12FJX-65"	1
4	42-059-038		HOSE, 12M3K-12FJX-12FJX-105"	1
5	42-059-079		ADAPTER, 8MJ-10MB-90°	2
6	08-059-010		HOSE, 6M3K-8FJX-8FJX-190"	2
7	42-059-059		ADAPTER, 12MJ-10MB-90°	1
8	42-059-088		HOSE, 12M3K-12FJX-12FJX-75"	1
9	48-0909210		CAPSCREW, 3/8 X 2 1/4 G5 PLT	3
10	66-010150		LOCKWASHER, 3/8 PLT	3
11	68-010150		HEX NUT, 3/8 PLT	3

## ELECTRICAL HYDRAULIC DUMP CONTROL



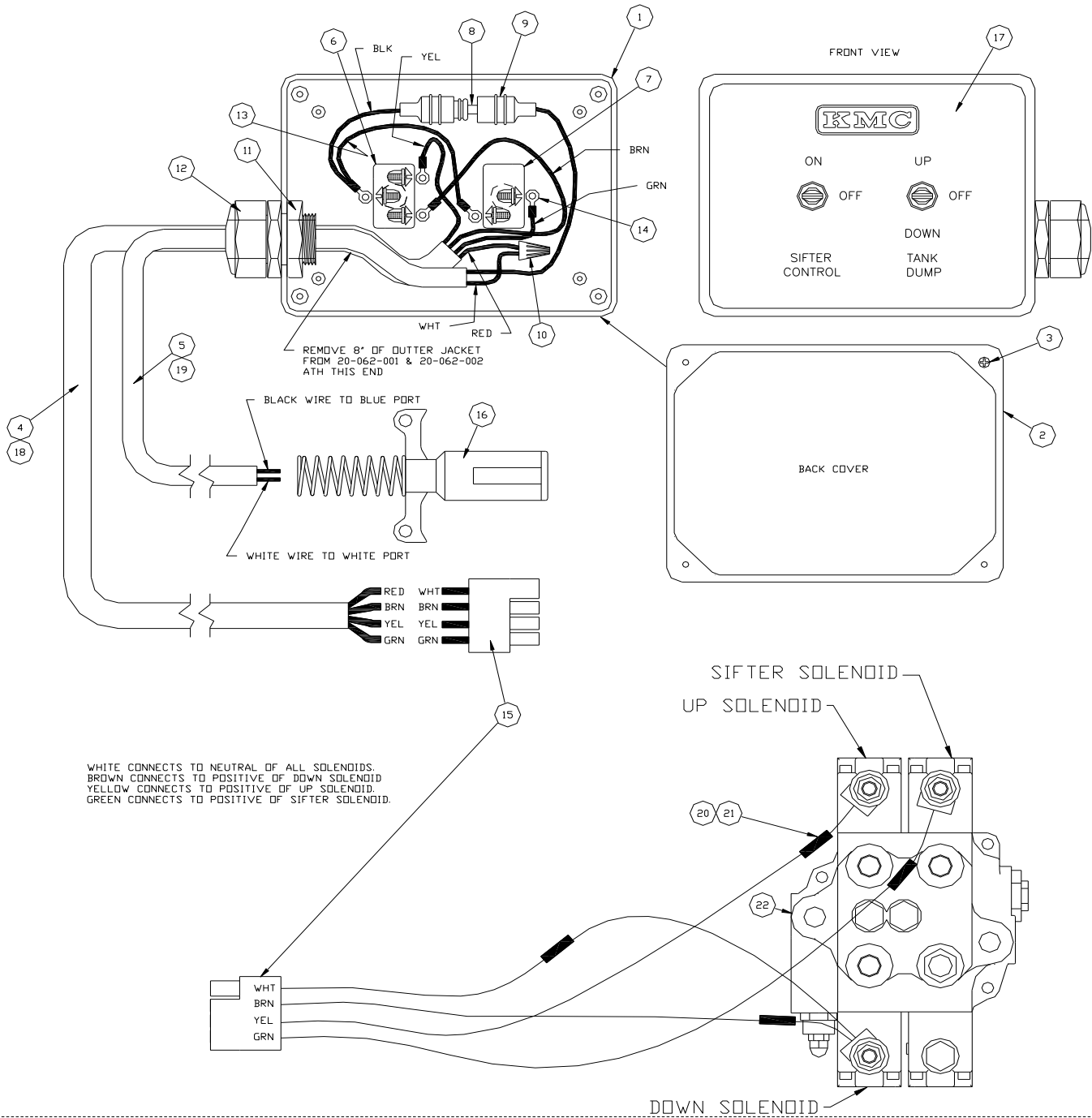
ITEM	PART NO	SERIAL NO OR YR	DESCRIPTION	QTY
1	42-061-265		VALVE, DOUBLE SPOOL	1
2	42-081-042		KIT, ELEC RETRO DUMP (Page 8)	1
3	42-059-086		HOSE, 12M3K-12FJX-12FJX-30"	2
4	42-059-040		HOSE, 6M3K-8FJX-8FJX-115"	2
*5	42-081-107		HARNESS, DUMP CONTROL (Page 6)	1
*6	42-080-322		ARM, CONTROL ELECTRIC	1
*7	54-010250		SETSCREW, 1/2 X 1 SQ HD CUPPT	1
8	42-059-079		ADAPTER, 8MJ-10MB-90°	2
9	42-059-059		ADAPTER, 12MJ-10MB-90°	1
10	42-059-050		ADAPTER, 12MJ-12MB	1
▲ 11	42-059-038		HOSE, 12M3K-12FJX-12FJX-105"	1

\* NOT SHOWN

▲ This hose is used elsewhere and moved to this point when the Electrical Hydraulic Dump Control is used.



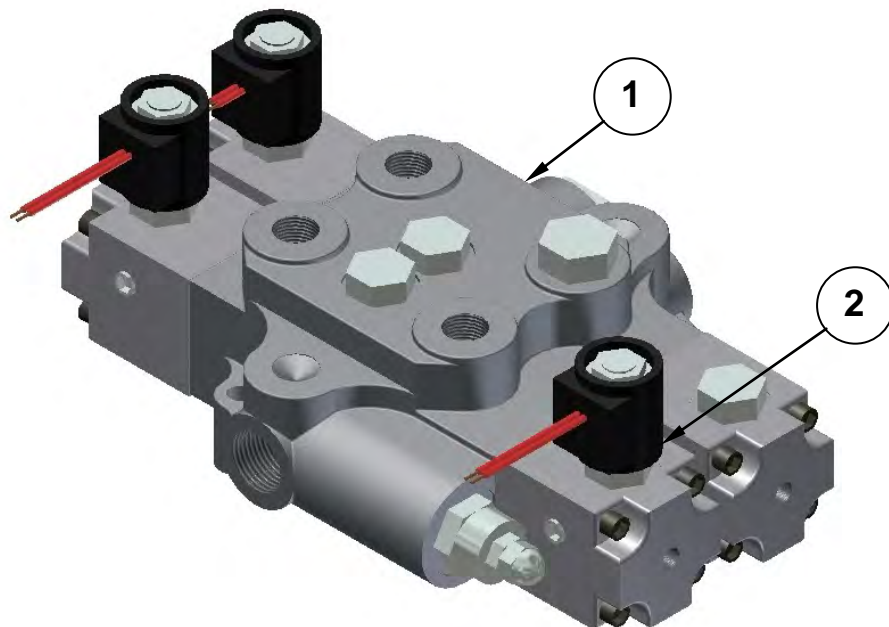
# DUMP CONTROL HARNESS (42-081-107)



ITEM	PART NO	SERIAL NO OR YR	DESCRIPTION	QTY
1	42-050-081		BOX, DUMP CONTROL	1
2	33-050-145		COVER, INSTRUMENT	1
3	54-030050		SCREW, #4 X 1/2 FLAT HD PILLIPS	4
4	33-062-003		WIRE, 16/4 PARALLEL	192"
5	33-062-065		CABLE, 16/2 PRIMARY	105"
6	42-062-001		SWITCH, MOMENTARY	1

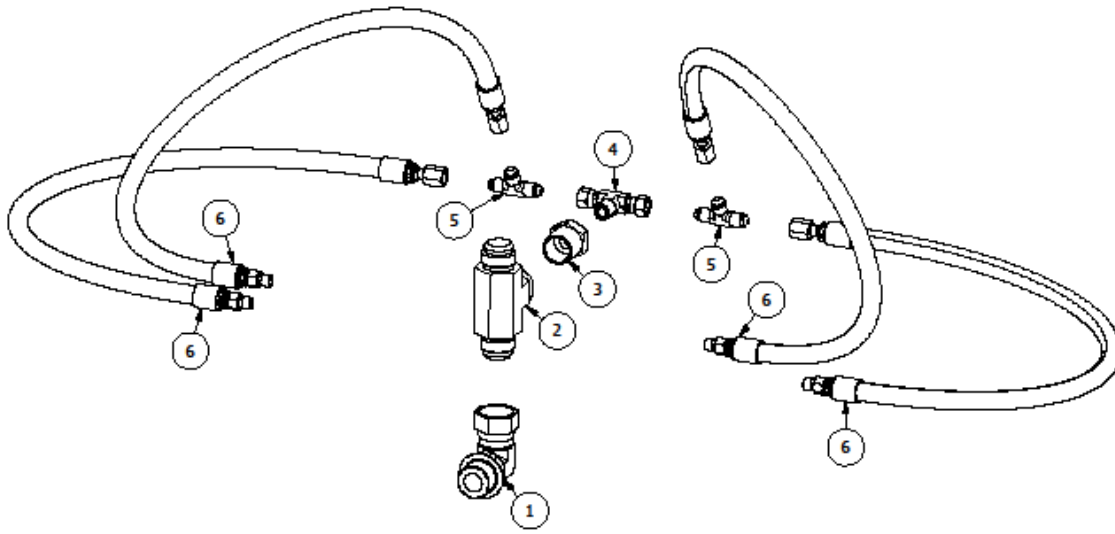
ITEM	PART NO	SERIAL NO OR YR	DESCRIPTION	QTY
7	20-062-005		SWITCH, TOGGLE	1
8	20-062-007		FUSE, 5A	1
9	20-062-013		HOLDER, WATERPROOF FUSE	1
10	20-062-009		CONNECTOR, SPRING	1
11	20-062-015		LOCKNUT, 3/4 NPT	1
12	20-062-014		RELIEF, STRAIN	1
13	33-062-053		WIRE, 16 GA RED	8"
14	33-062-020		TERMINAL, #10 RING 16-14AWG	5
15	33-062-002		CONNECTOR, MOLDED CIRCUIT	1
16	33-062-007		PLUG, 7-WAY	1
17	42-050-078		DECAL, DUMP SWITCH BOX	1
18	33-062-035		LOOM, 1/2 SPLIT LOOM, 1/2 SPLIT	192"
19				105"
20				20"
21	33-062-006		CONNECTOR, BUTT	4
22	42-081-111		VALVE, DOUBLE SPOOL ASSY	1

**DOUBLE SPOOL 4-WAY SOLENOID VALVE**  
(42-081-111)



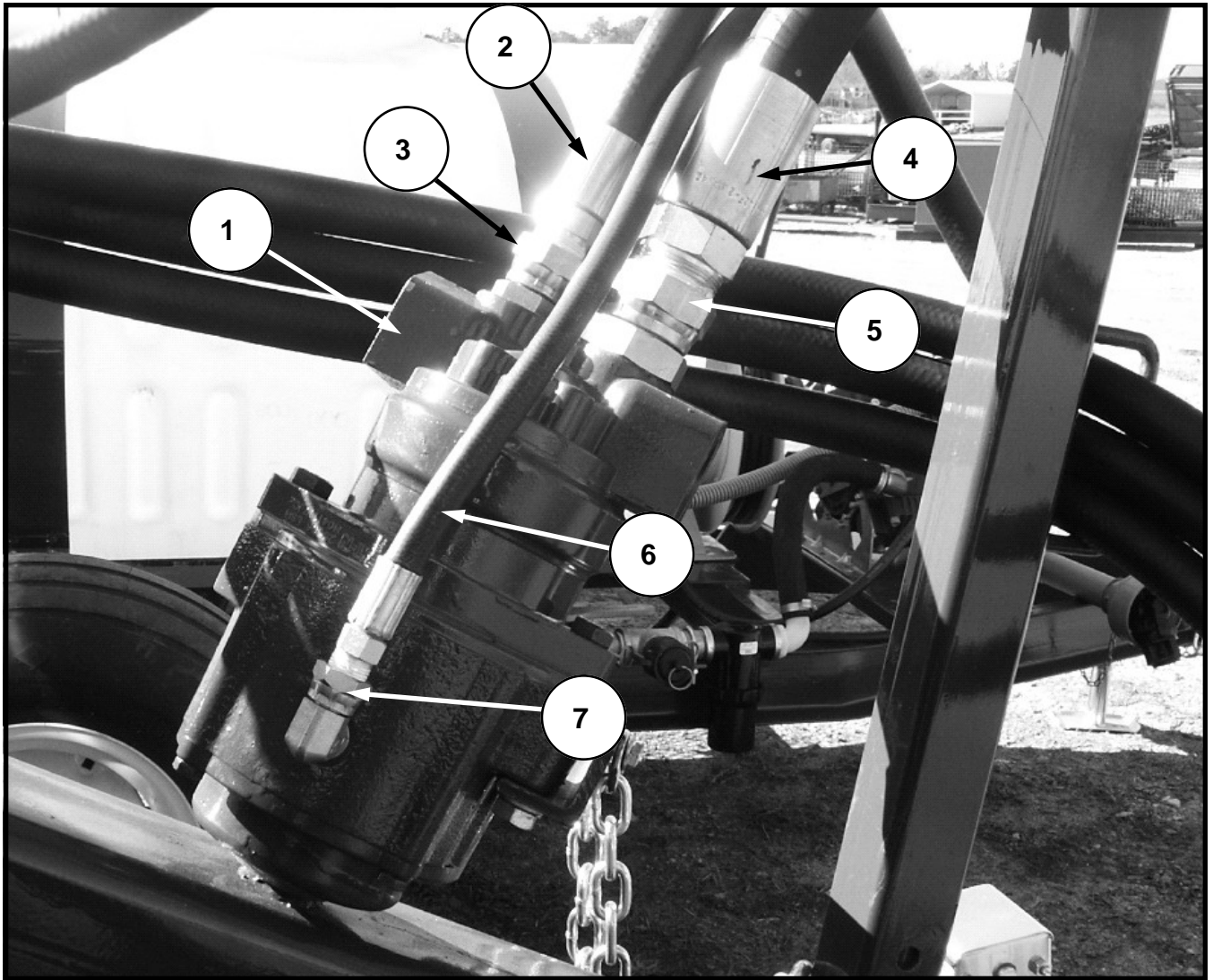
ITEM	PART NO	SERIAL NO OR YR	DESCRIPTION	QTY
1	42-061-265		VALVE, DOUBLE SPOOL 4-WAY SOLENOID	1
2	42-061-270		SPRING, INTERNAL	1

## ELECTRIC RETRO DUMP KIT (42-081-042)

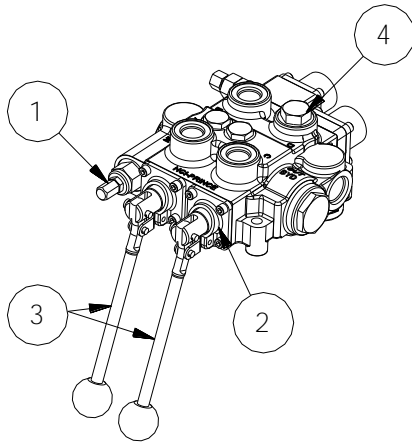


ITEM	PART NO	SERIAL NO OR YR	DESCRIPTION	QTY
1	42-059-113		ADAPTER, 12MB-12FJX-90	1
2	42-059-112		ADAPTER, 12MJ-12MJ-12FP	1
3	42-059-111		ADAPTER, 12MP-4FP	1
4	42-059-124		ADAPTER, 4MP-4FJX-4FJX	1
5	42-059-125		ADAPTER, 4MJ-4MJ-4MJ	2
6	42-059-127		HOSE, 4M3K-2MP-4FJX-22.25"	4

## PTO PUMP HYDRAULICS



ITEM	PART NO	SERIAL NO OR YR	DESCRIPTION	STD
1	42-061-013		PUMP, PTO (2.85)	1
2	42-059-033		HOSE, 12M3K-12FJX-12FJX-65"	1
3	42-059-050		ADAPTER, 12MJ-12MB	1
4	42-059-034		HOSE, 20G4H-20FJX-20FJX-96"	1
5	42-059-056		ADAPTER, 20MJ-20MB	1
6	42-059-040		HOSE, 6M3K-8FJX-8FJX-115"	1
7	42-059-048		ADAPTER, 8MJ-6MB-90°	1

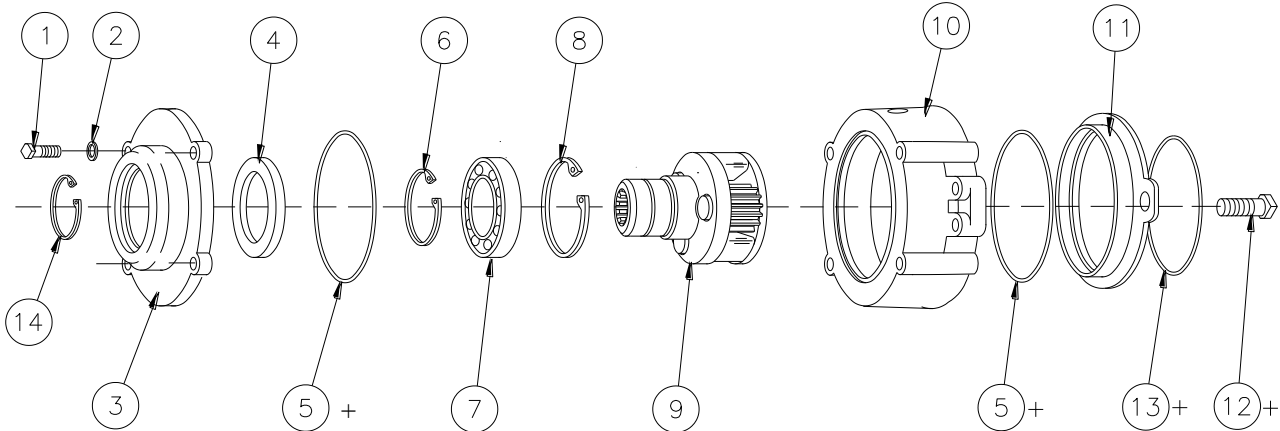


## DUAL SPOOL CONTROL VAVLE (42-061-175)

\*NOT SHOWN

ITEM	PART NO	SERIAL NO OR YR	DESCRIPTION	QTY
1	42-061-097		CARTRIDGE, RELIEF	1
2	42-061-035		HANDLE CLEVIS	2
3	42-061-036		HANDLE HARDWARE KIT	2
4	16-061-060		PORT PLUG, STEEL	1
*5	42-061-253		ADJUSTING CARTRIDGE	1
*6	42-061-269		DETENT BODY	1
*7	42-061-282		SEAL KIT, DUAL SPOOL	1

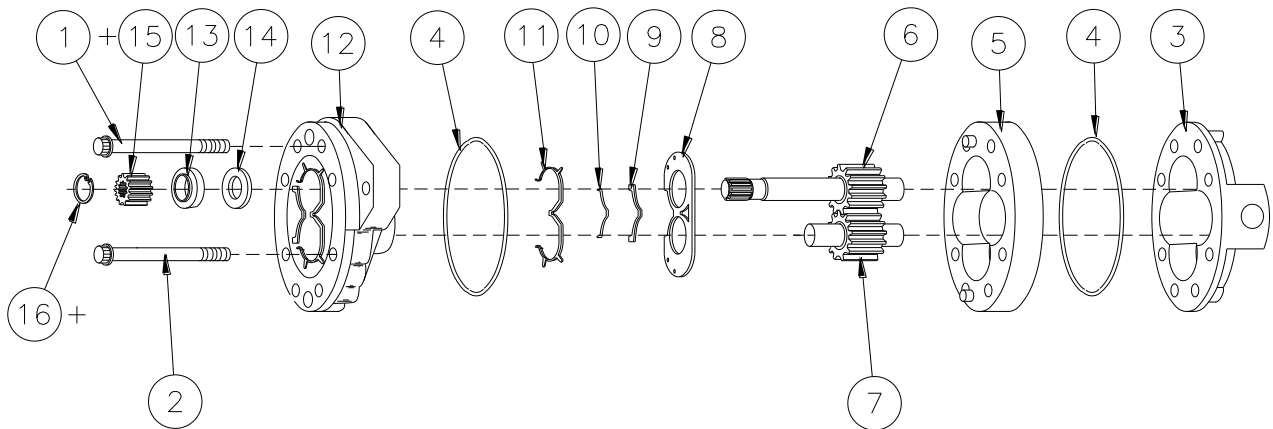
## PHC PUMP GEAR BOX (42-061-047)



ITEM	PART NO	SERIAL NO OR YR	DESCRIPTION	QTY
*1	48-090036		CAPSCREW, 5/16 X 1 G5 PLT	4
2	42-061-091		SERRATED WASHER	4
3	42-061-092		FRONT PLATE	1
4	42-061-049		SHAFT-SEAL	1
+5	42-061-048		O-RING, EATON PTO GB	2
6	42-061-093		RETAINING RING	1
7	42-061-094		CARRIER BEARING	1
8	42-061-095		RETAINING RING	1

ITEM	PART NO	SERIAL NO OR YR	DESCRIPTION	QTY
9	42-061-061		CARRIER ASSEMBLY	1
10	42-061-096		HOUSING	1
11	42-061-090		ADAPTER PLATE, INPUT	1
+12	48-090596		CAPSCREW, 1/2 X 1 3/4 G5 PLT	2
+13	42-061-045		O-RING, EATON PTO GB/PUMP INTERFACE	1
14	42-061-114		RETAINING RING	1

**GEAR PUMP (2.85 RATIO)**  
(42-061-039)

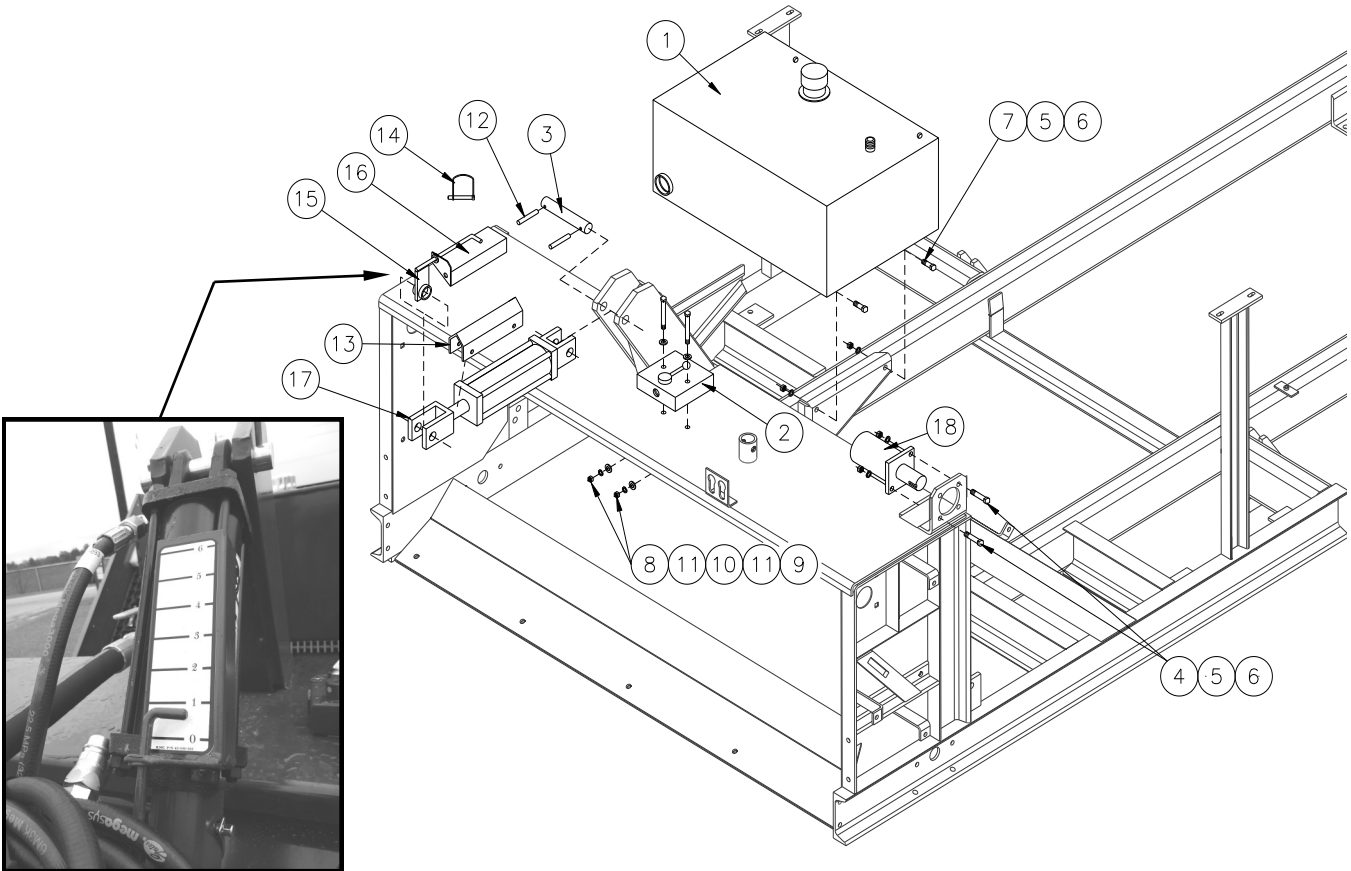


ITEM	PART NO	SERIAL NO OR YR	DESCRIPTION	QTY
1	42-061-077		CAPSCREW, 3/8 X 3 3/4 NC TX HD	4
2	42-061-078		CAPSCREW, 3/8 X 3 1/2 NC TX HD	4
3	42-061-071		BACKPLATE ASSEMBLY, PLAIN	1
*4	42-061-079		O-RING, 3/32" X 5" ID	2
5	42-061-080		BODY	1
6	42-061-081		DRIVE GEAR ASSEMBLY	1
7	42-061-082		IDLER GEAR ASSEMBLY	1
*8	42-061-083		WEAR PLATE	1
*9	42-061-084		BEARING SEAL	1
*10	42-061-085		MOLDED O-RING	1
*11	42-061-086		BACK-UP GASKET	1
12	42-061-087		FRONT PLATE	1
*13	42-061-088		SHAFT-SEAL	1
*14	42-061-089		WASHER	1
+15	42-061-046		SUN GEAR	1
+16	42-061-051		RING, RETAINING (SUN GEAR)	1

\*These Parts make up PTO Pump Seal Kit (42-061-038)

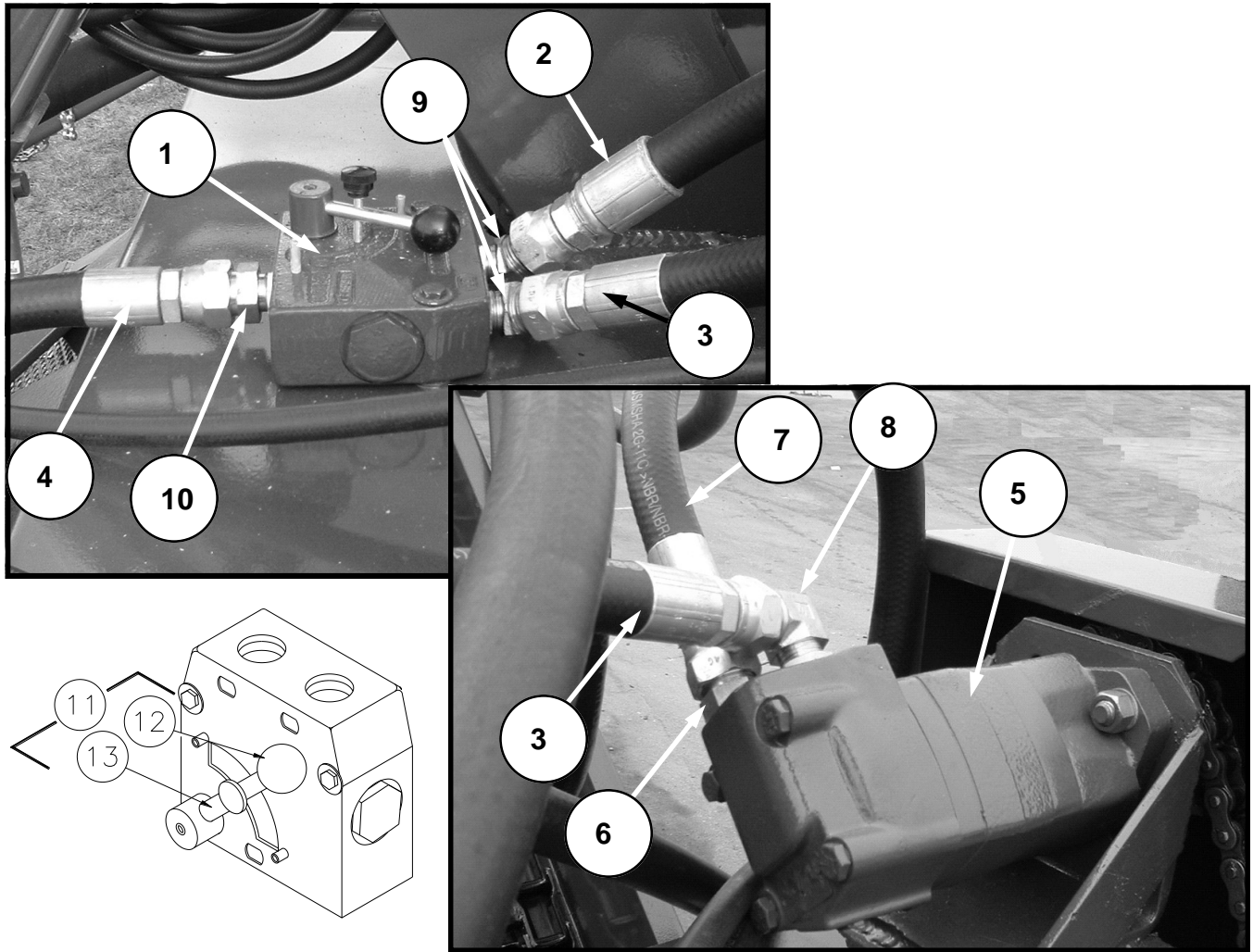
+These Parts are not included when ordering 42-061-039. They must be purchased separately.

## FRONT COMPONENTS OF CLEANER



ITEM	PART NO	SERIAL NO OR YR	DESCRIPTION	QTY
1	42-061-259		RESERVOIR	
2	09-061-006		VALVE, ADJ FLOW CONTROL	1
3	42-026-018		PIN, CYLINDER PIVOT	1
4	48-090596		CAPSCREW, 1/2 X 1 3/4 G5 PLT	2
5	66-010250		LOCKWASHER, 1/2 PLT	6
6	68-010250		HEX NUT, 1/2 PLT	6
7	48-090592		CAPSCREW, 1/2 X 1 1/4 G5 PLT	4
8	48-090032		CAPSCREW, 1/4 X 2 1/2 G5 PLT	2
9	68-010050		HEX NUT, 1/4 PLT	2
10	66-010050		LOCKWASHER, 1/4 PLT	2
11	62-010010		FLATWASHER, 1/4 PLT	4
12	02-050-007		ROLL PIN, 1/4 X 1 1/2	2
13	42-027-050		LOCK, CYLINDER	1
14	21-050-012		SNAPPER PIN, 3/8 X 2-3/4	2
15	42-080-081		STAND, INDICATOR	1
16	42-080-082		DEPTH, INDICATOR	1
17	33-061-203		CYLINDER, 3 X 6 X 1.25 (See Page 15)	1
18	42-061-188		MOTOR, FEEDER HYDRAULIC`	1

## FLOW CONTROL & FEEDER REEL MOTOR HYDRAULICS



ITEM	PART NO	SERIAL NO OR YR	DESCRIPTION	STD
1	09-061-006		VALVE , ADJ FLOW CONTROL	1
2	42-059-087		HOSE, 12M3K-12FJX-12FJX-124"	1
3	42-059-086		HOSE, 12M3K-12FJX-12FJX-30"	1
4	42-059-088		HOSE, 12M3K-12FJX-12FJX-75"	1
5	42-061-188		MOTOR, HYDRAULIC (FEEDER)	1
6	42-059-053		ADAPTER, 12MJ-10MORB STRT	1
7	42-059-085		HOSE, 12M3K-12FJX-12FJX-43"	1
8	42-059-059		ADAPTER, 12MJ-10MB-90°	1
9	42-059-082		ADAPTER, 12MJ-8MP-45°	2
10	42-059-083		ADAPTER, 12MJ-8MP	1

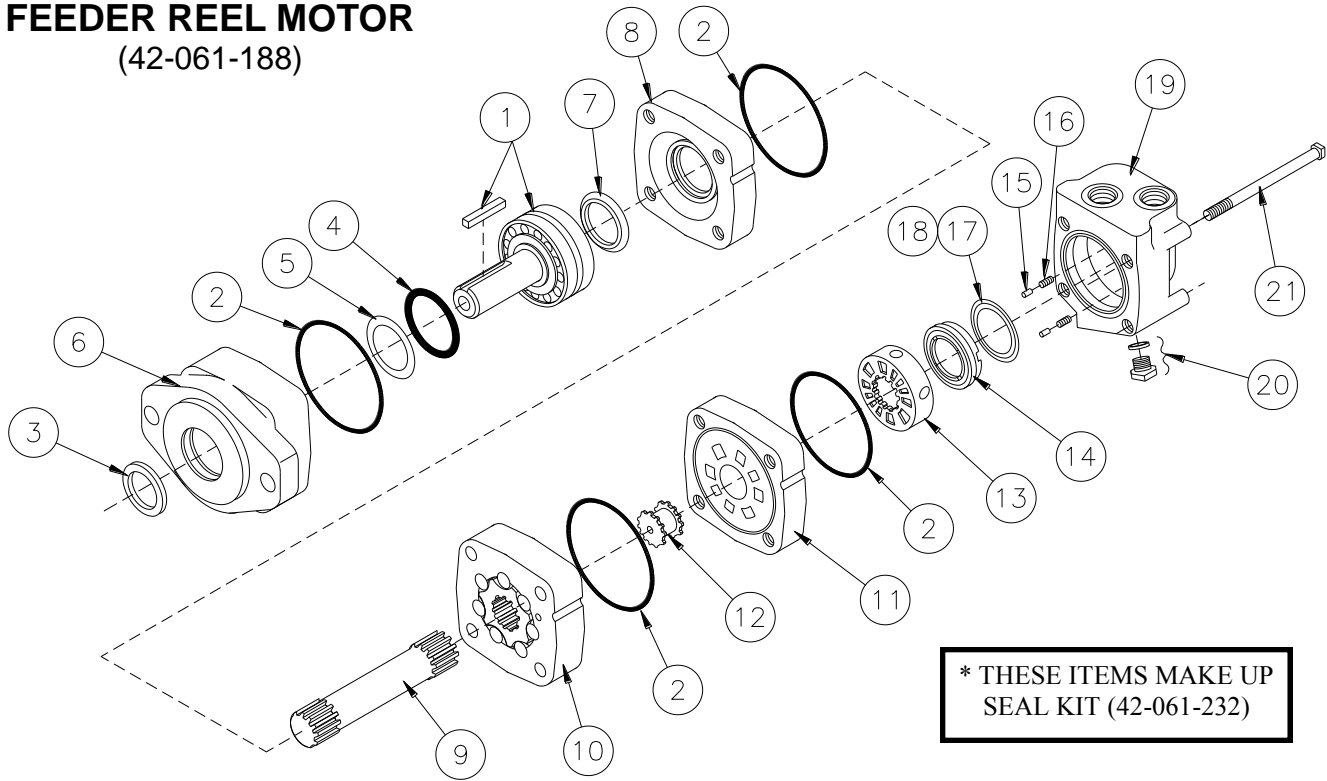
### ADJUSTABLE FLOW CONTROL VALVE

\*(09-061-006)

ITEM	PART NO	SERIAL NO OR YR	DESCRIPTION	QTY
11	09-061-011		HANDLE, THUMBSCREW	1
12	09-061-010		KNOB, ADJUSTING	1
13	09-061-009		HANDLE, METAL ADJUSTING	1
*	09-061-012		KIT, SEAL (for 09-061-006)	-



# FEEDER REEL MOTOR (42-061-188)



ITEM	PART NO	SERIAL NO OR YR	DESCRIPTION	QTY
1	42-061-203		SHAFT & BRG KIT	1
	42-061-204		KEY	1
*2	42-061-205		SEAL	4
*3	42-061-206		SEAL, EXCLUSION	1
*4	42-061-207		SEAL, SHAFT	1
*5	42-061-208		RING, BACK-UP	1
6	42-061-209		HOUSING, BEARING, SAE "A"	1
*7	42-061-210		SEAL, SHAFT FACE	1
8	42-061-211		PLATE, WEAR	1
9	42-061-212		DRIVE, MAIN	1
10	42-061-213		GEROLER	1
11	42-061-214		PLATE, VALVE	1
12	42-061-215		DRIVE, VALVE	1
13	42-061-216		VALVE	1
14	42-061-227		BALANCE RING	1
15	42-061-228		PIN, BALANCE RING	2
16	42-061-229		SPRING, COMPRESSION	2
*17	42-061-230		SEAL, FACE, INNER	1
*18	42-061-231		SEAL, FACE, OUTER	1
19	42-061-217		HOUSING, VALVE	1
20	42-061-218		PLUG ASSEMBLY	1
*	42-061-219		O-RING	1

ITEM	PART NO	SERIAL NO OR YR	DESCRIPTION	QTY
21	42-061-220		SCREW, CAP	4
24	42-061-221		PISTON SHUTTLE	1
25	42-061-222		POPPET	2
26	42-061-223		SPRING	2
27	42-061-224		SLEEVE, DASH POT	2
28	42-061-225		PLUG ASSY	2
	42-061-229		O-RING	2

**3 X 6 X 1.25 HYDRAULIC CYLINDER (BAILEY)**

(33-061-203) (Used on Machines From 2014 to Present)

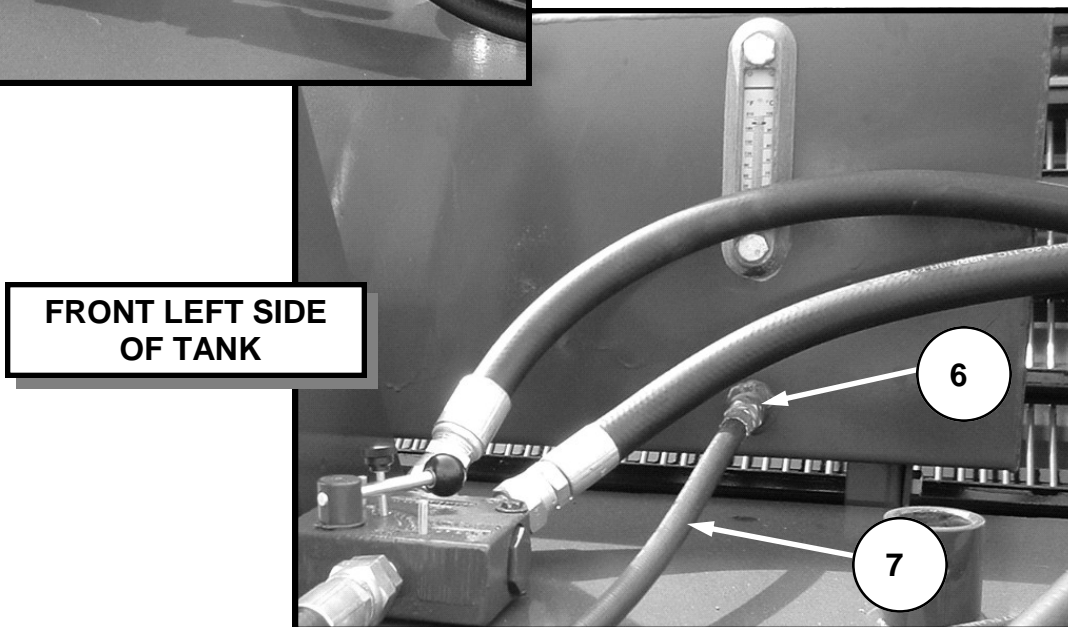
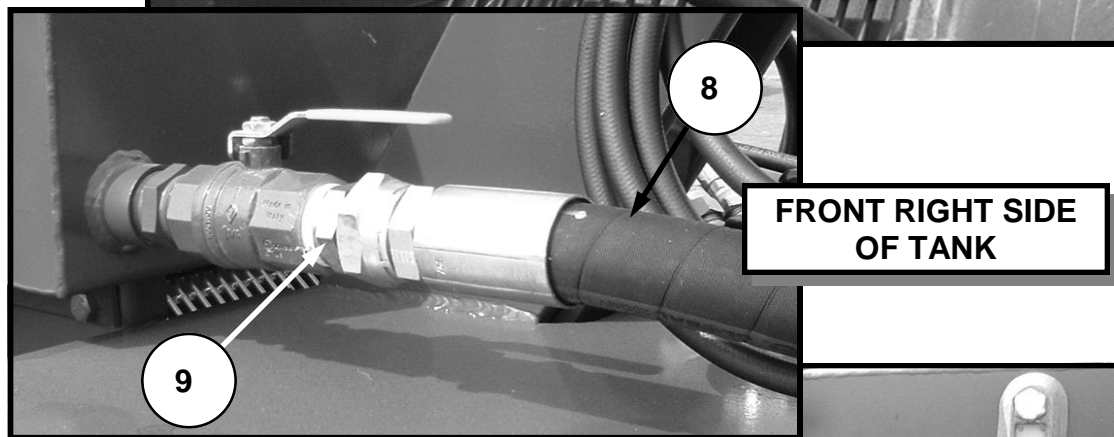
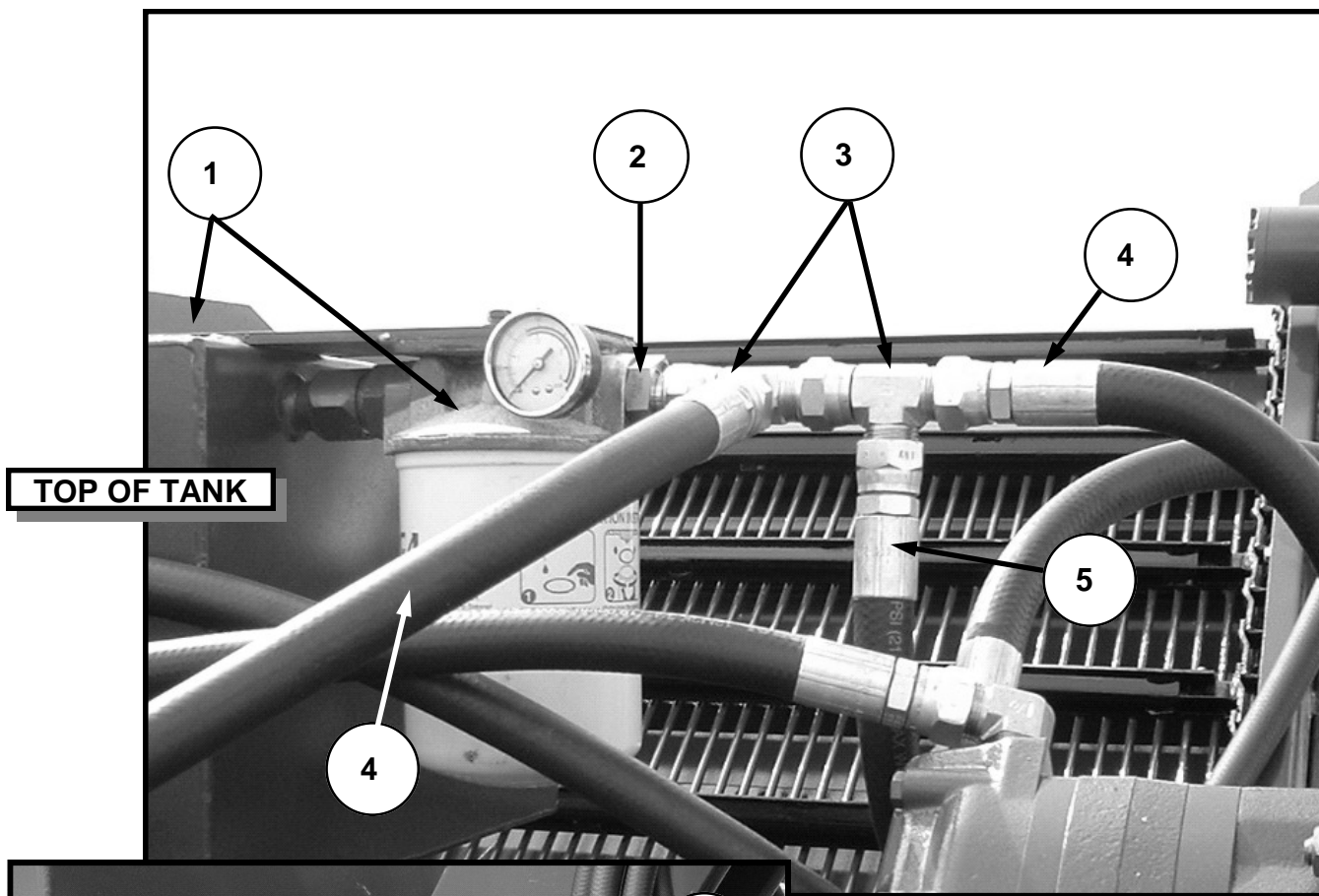
Bailey's Hydraulic Cylinder (33-061-203) will replace Energy's Hydraulic Cylinder (33-061-120).

Bailey will not sale any repair parts except for a Seal Kit.

**USE SEAL KIT # 33-061-211**

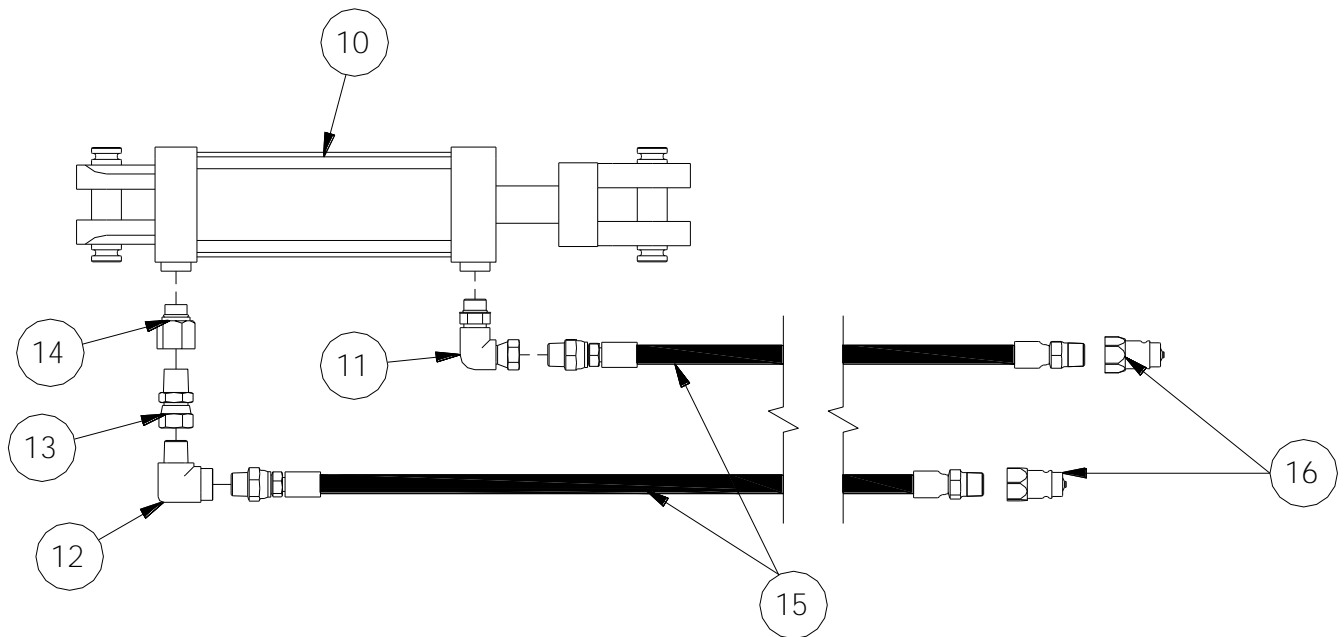
---

# RESERVOIR PLUMBING



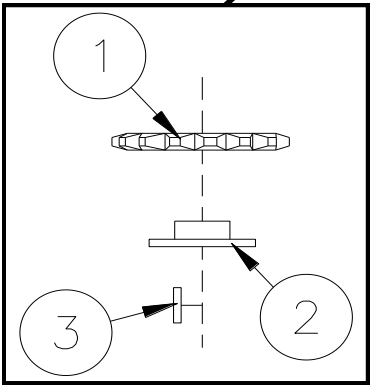
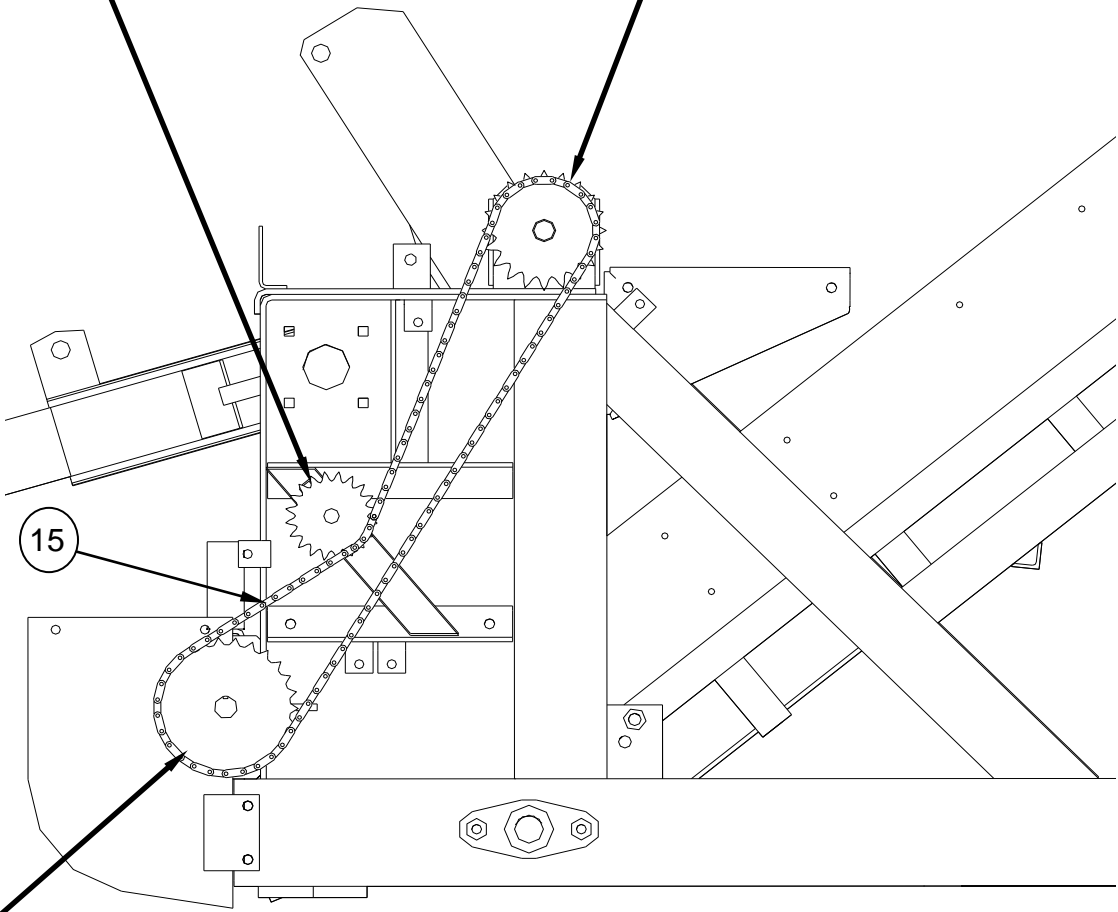
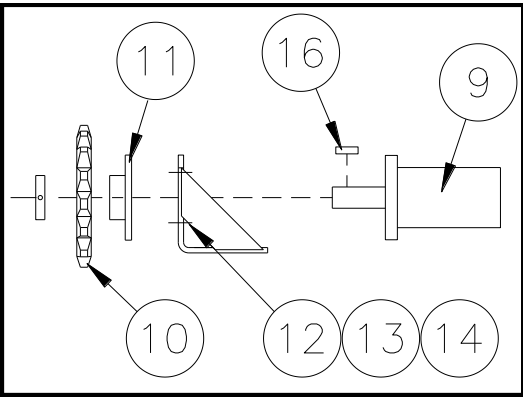
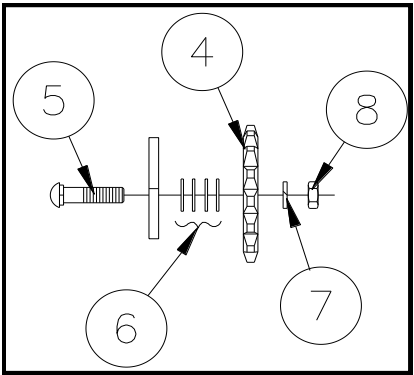
ITEM	PART NO	SERIAL NO OR YR	DESCRIPTION	QTY
1	42-061-259		RESERVOIR	1
2	42-059-102		ADAPTER, 12MJ-20MP STRAIGHT	1
3	42-059-058		TEE, 12MJ-12FJX-12MJ	2
4	42-059-038		HOSE, 12M3K-12FJX-12FJX-105"	1
5	42-059-090		HOSE, 12M3K-12FJX-12FJX-48"	1
6	33-059-107		ADAPTER, 6MB-8MJ	1
7	42-059-040		HOSE, 6M3K-8FJX-8FJX-115"	1
8	42-059-034		HOSE, 20G4H-20FJX-20FJX-96"	1
9	42-059-069		ADAPTER, 20MJ-20MP	1

### TONGUE CYLINDER AND HOSES

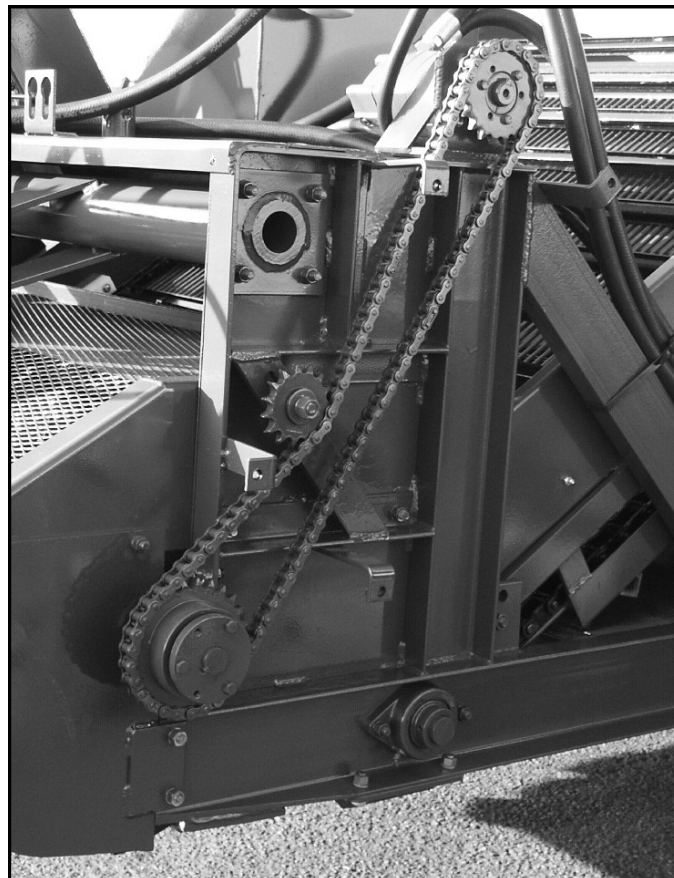


ITEM	PART NO	SERIAL NO OR YR	DESCRIPTION	QTY
10	33-061-203		CYLINDER, 3 X 6 X 1.25	1
11	42-059-022		ADAPTER, 8MB-8FPX-90°	1
12	08-059-006		ADAPTER, 8MB-8FP-90°	1
13	21-059-002		RESTRICTOR, 8MP-8FPX-.062	1
14	21-061-028		ADAPTER, 8MB-8FP	1
15	07-059-003		HOSE, 6M3K-8MP-8MPX-100"	2
16	47-059-002		QUICK COUPLER, 1/2" NPTF MALE	2

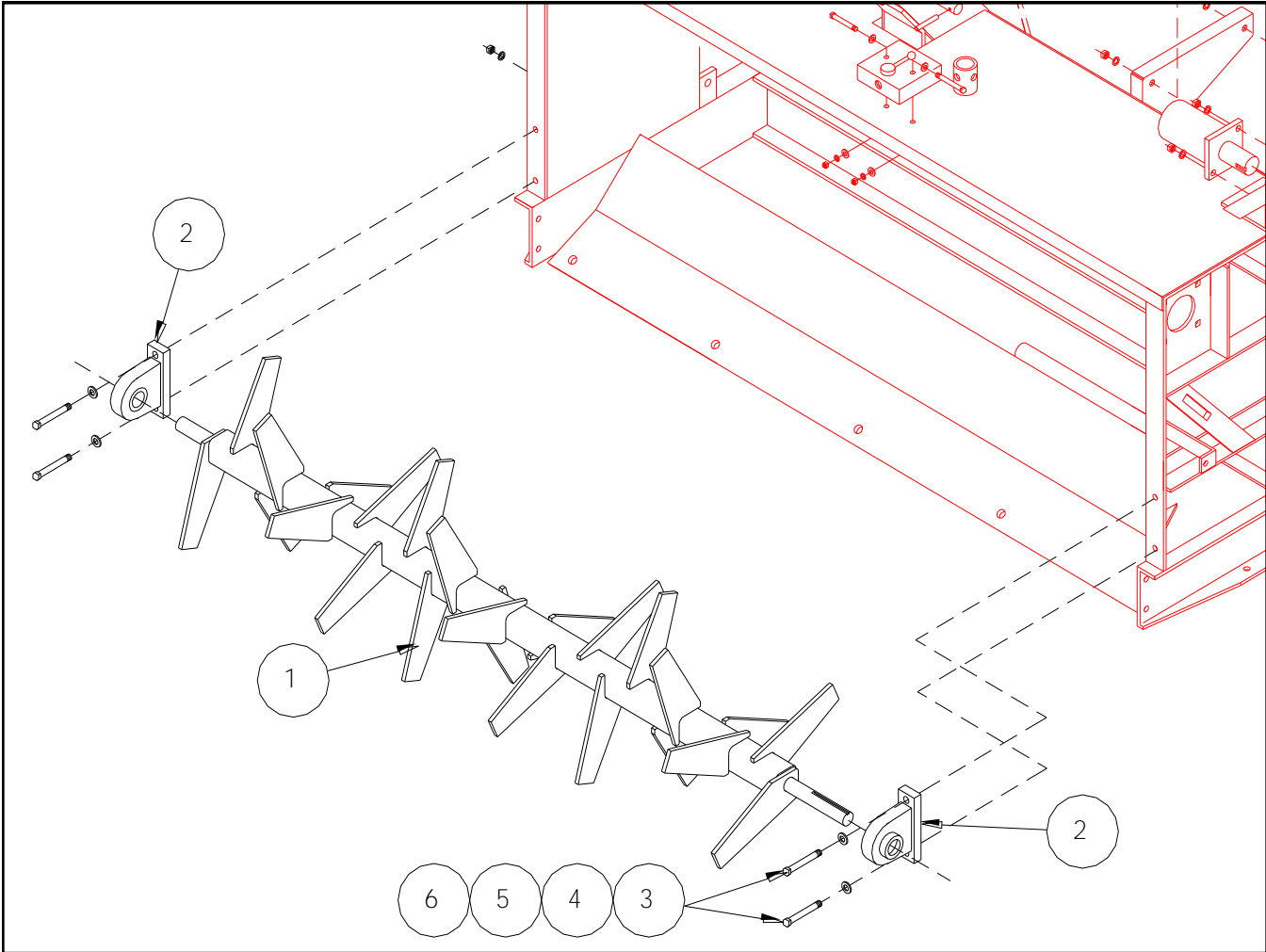
# FEEDER REEL BEARINGS AND DRIVES



ITEM	PART NO	SERIAL NO OR YR	DESCRIPTION	QTY
1	33-052-043		SPROCKET, 60Q26	1
2	33-053-067		BUSHING, 1 1/4 TAPER	1
3	03-026-016		KEY, 1/4 X 2	1
4	33-052-015		SPROCKET, #60 CHAIN	1
5	52-050370		CARRIAGE SCREW, 5/8 X 2 3/4	1
6	62-010250		FLATWASHER, 5/8	5
7	66-010300		LOCKWASHER, 5/8	1
8	68-010300		HEX NUT, 5/8	1
9	42-061-188		MOTOR, HYD (FEEDER REEL) (Page 14)	1
	42-061-232		SEAL KIT	-
10	42-052-029		SPROCKET (H60SD20)	1
11	42-052-030		BUSHING, SDS 1 1/4	1
12	48-090596		CAPSCREW, 1/2 X 1 3/4	2
13	66-010250		LOCKWASHER, 1/2	2
14	68-010250		HEX NUT, 1/2	2
15	42-052-010		CHAIN, RC60H 108 PITCH	1
16	33-026-229		KEY, 5/16 X 1 1/4 SQ	1

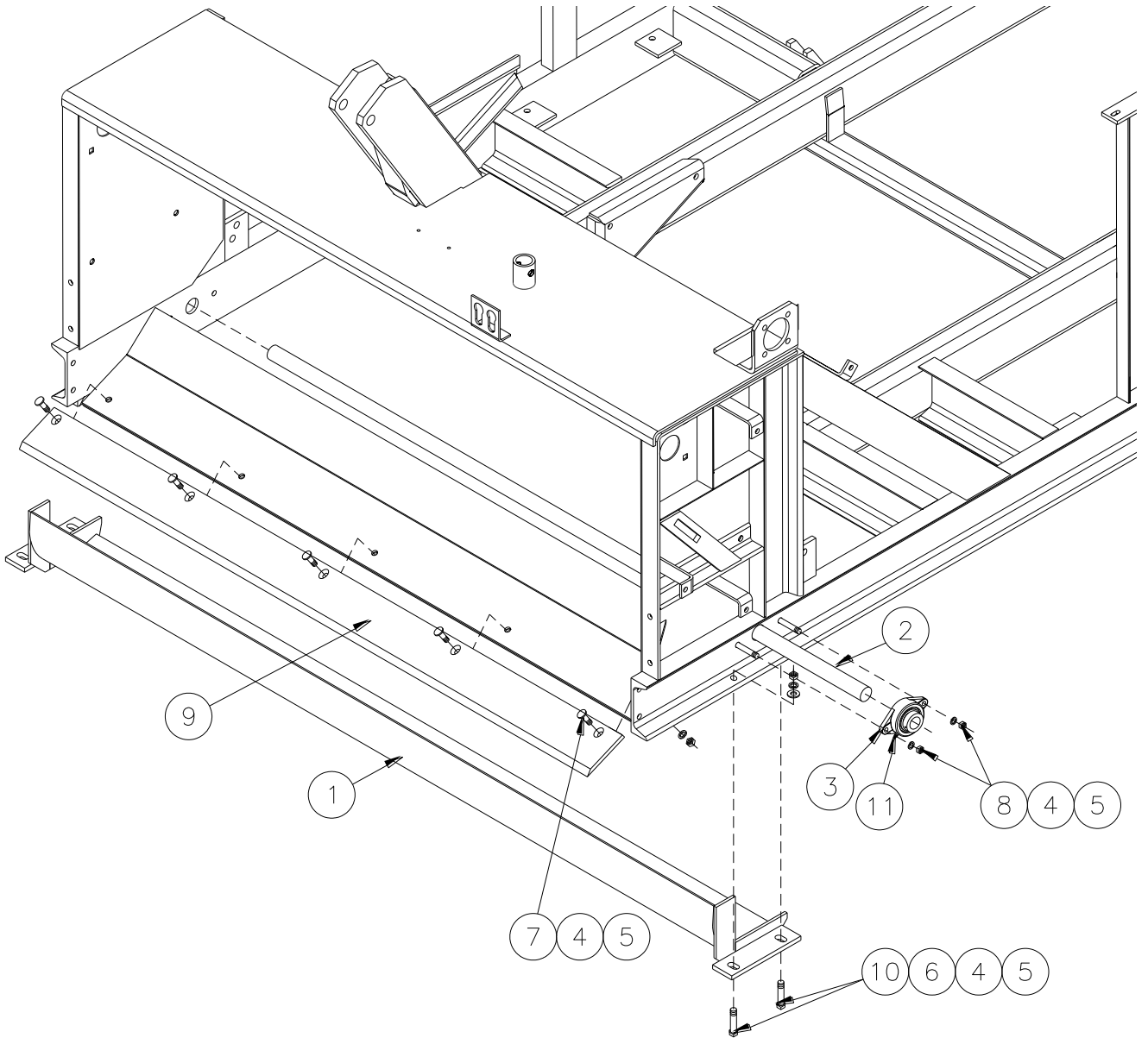


## FEEDER REEL



ITEM	PART NO	SERIAL NO OR YR	DESCRIPTION	QTY
1	42-080-321		REEL, HD. FEEDER	1
2	33-051-035		BEARING, 1 1/4 PILLOW BLOCK	2
3	48-090600		CAPSCREW, 1/2 X 2 G5 PLT	4
4	62-010200		FLATWASHER, 1/2 STD PLT	4
5	66-010250		LOCKWASHER, 1/2 PLT	4
6	68-010250		HEX NUT, 1/2 PLT	4

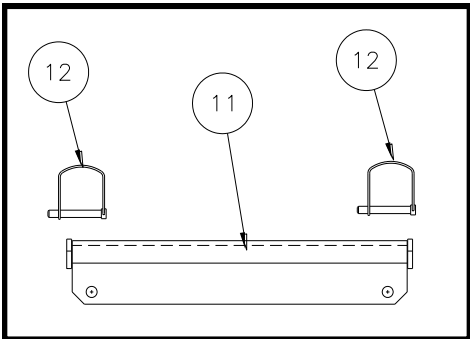
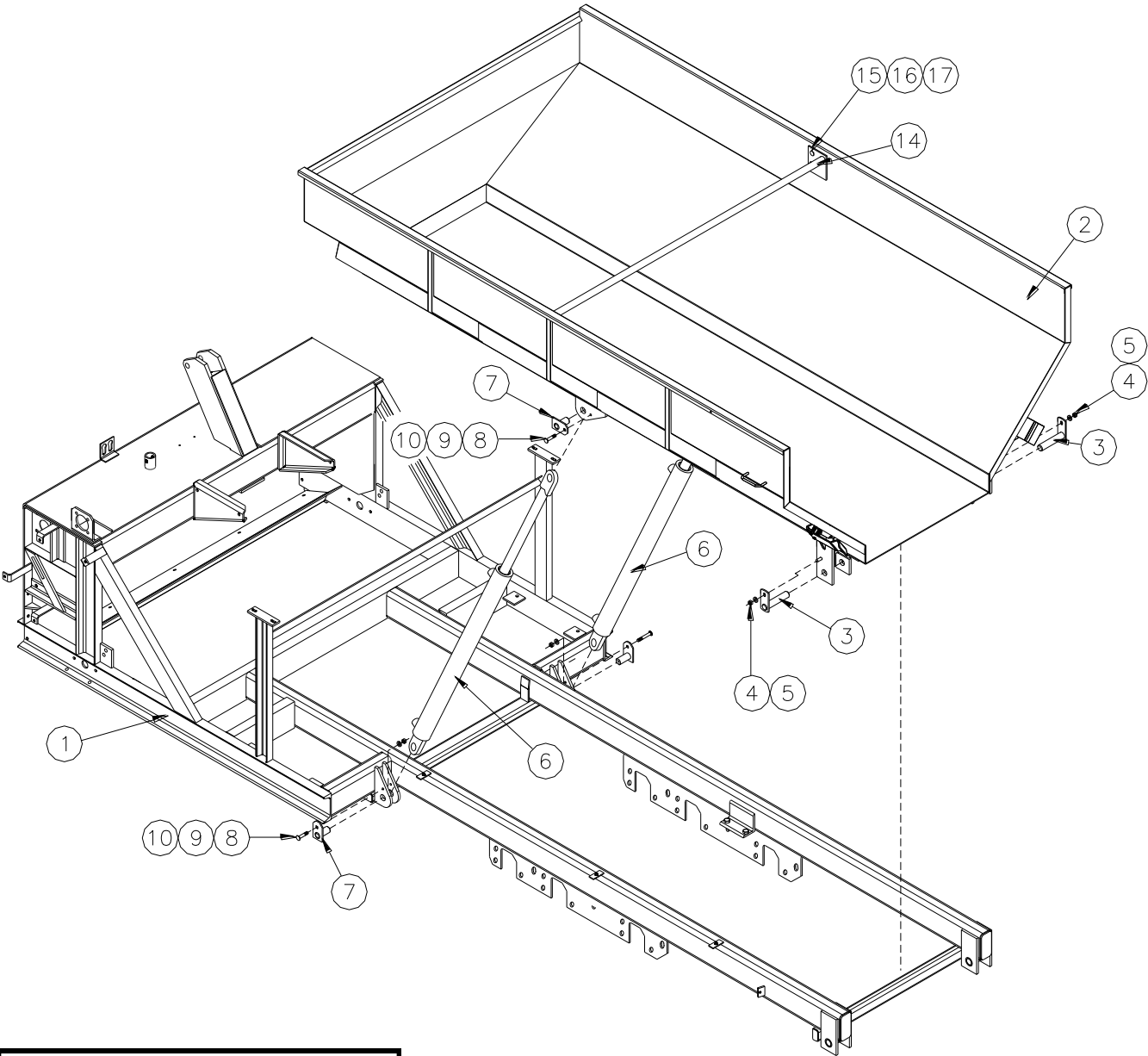
## CONVEYOR TROUGH AND IDLER SHAFT



ITEM	PART NO	SERIAL NO OR YR	DESCRIPTION	QTY
1	42-080-071		TROUGH, CONVEYOR	1
2	42-026-032		SHAFT, IDLER (HD)	1
3	33-051-011		BEARING UNIT, 1 1/2	2
4	66-010250		LOCKWASHER, 1/2 PLT	13
5	68-010250		HEX NUT, 1/2 PLT	13
6	64-010050		BEVEL WASHER. 1/2 STD PLT	4
7	60-020100		PLOWSCREW, 1/2 X 1 3/4 #3 REG	5
8	48-090595		CAPSCREW, 1/2 X 1 1/2 G5 PLT	4
9	42-057-002		BLADE	1
10	48-090600		CAPSCREW, 1/2 X 2 G5 PLT	4
11	42-050-092		GREASE FITTING, 1/8-27 45°	2

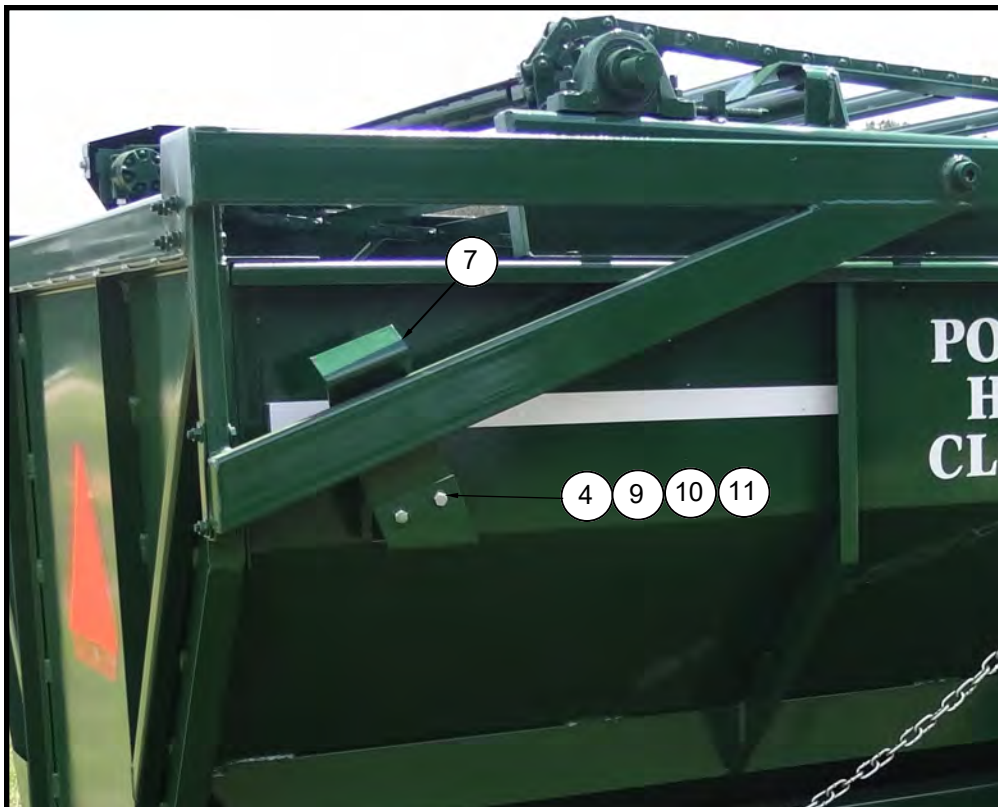
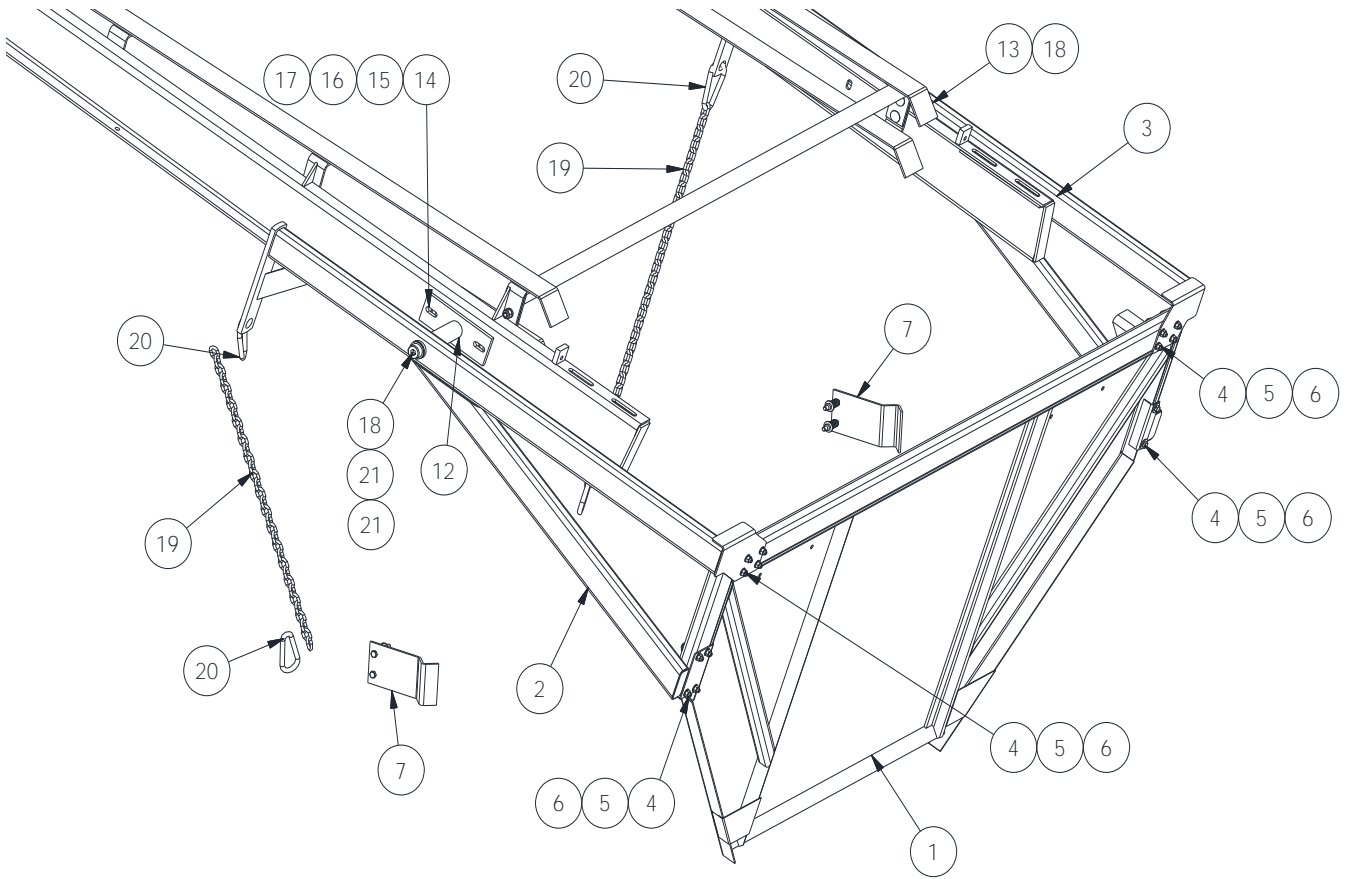


# MAIN FRAME AND TANK

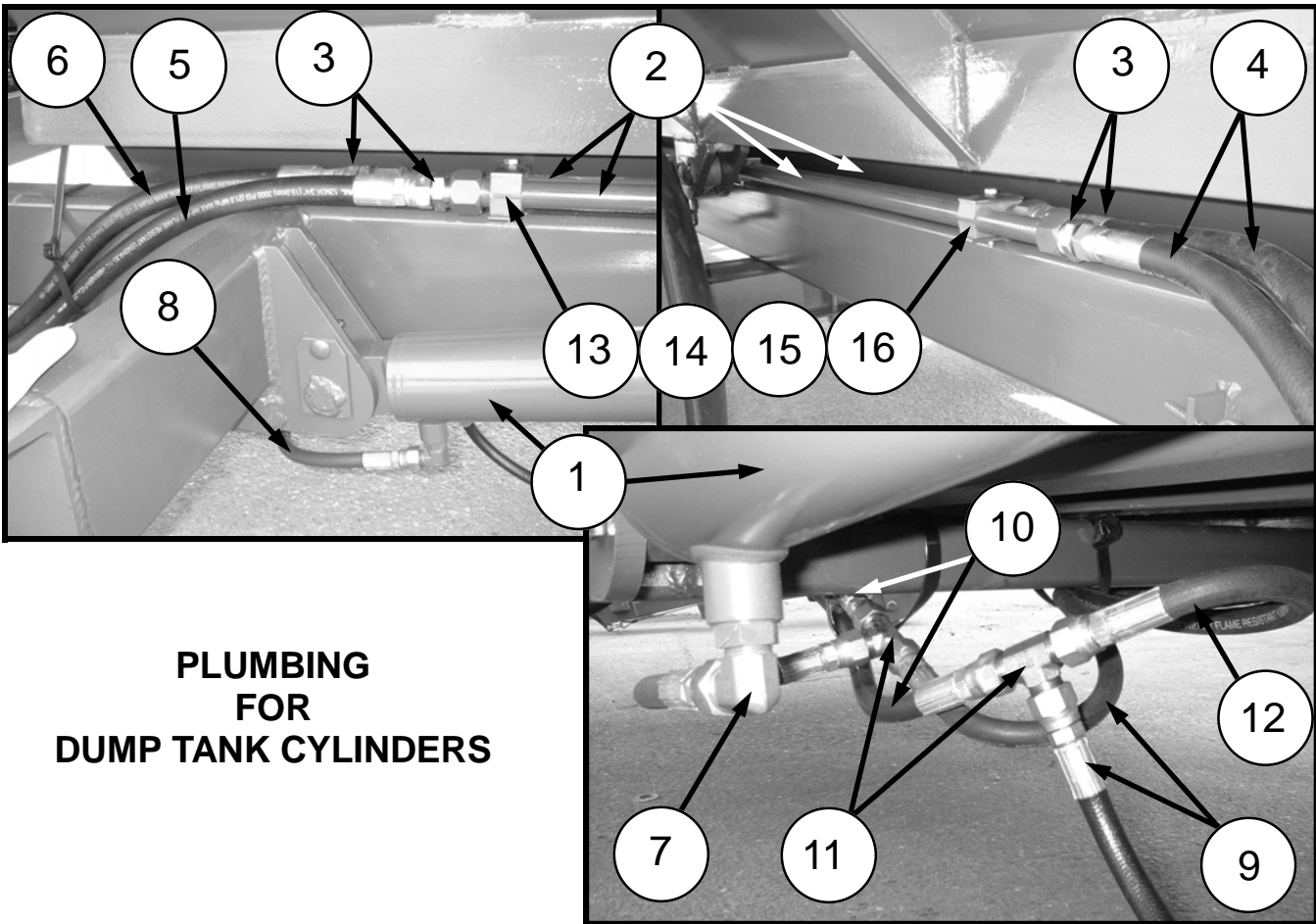


ITEM	PART NO	SERIAL NO OR YR	DESCRIPTION	QTY
1	42-080-326		LOWER FRAME, LOW PROFILE	1
2	42-080-327		TANK, DUMP	1
3	42-080-221		PIN, DUMP HINGE	2
4	66-010250		LOCKWASHER, 1/2 PLT	2
5	68-010250		HEX NUT, 1/2 PLT	2
6	33-061-202		CYLINDER, 3 X 43 X 1.75 (Page 25)	2
7	33-080-608		PIN, LOWER CYLINDER	4
8	52-050040		CARRIAGE SCREW, 3/8 X 1 1/4	4
9	66-010150		LOCKWASHER, 3/8	4
10	68-010150		HEX NUT, 3/8	4
11	33-080-542		LOCKOUT, 6R TANK CYL	2
12	21-050-012		SNAPPER PIN, 3/8 X 2 3/4	4
14	42-080-332		SUPPORT, BOLT-IN, DUMP BED	1
15	52-050125		CARRIAGE SCREW, 1/2 X 1 1/4 G5 PLT	4
16	66-010250		LOCKWASHER, 1/2 PLT	4
17	68-010250		HEX NUT, 1/2 PLT	4

# DOOR ASSEMBLY



ITEM	PART NO	SERIAL NO OR YR	DESCRIPTION	QTY
1	42-080-335		DOOR, SELF RAISING	1
2	42-080-333		ARM, SELF RAISING DOOR, LT	1
3	42-080-334		ARM, SELF RAISING DOOR, RT	1
4	48-090210		CAPSCREW, 3/8 X 2 1/4 G5 PLT	12
5	62-010100		FLATWASHER, 3/8 STD PLT	14
6	78-020300		FLANGE LOCKNUT, 3/8 WHIZ G"B"	14
7	44-023-008		LATCH, BOOM	2
9	44-050-001		SPRING, COMPRESSION	4
10	62-010100		FLATWASHER, 3/8 STD PLT	4
11	72-010050		LOCKNUT, 3/8 STOVER G "B" PLT	4
12	42-080-337		PIVOT MOUNT, DOOR, LT	1
13	42-080-338		PIVOT MOUNT, DOOR, RT	1
14	52-050140		CARRIAGE SCREW, 1/2 X 1 1/2 G5 PLT	4
15	62-010200		FLATWASHER, 1/2 STD PLT	4
16	66-010250		LOCKWASHER, 1/2 PLT	4
17	68-010250		HEXNUT, 1/2 PLT	4
18	55-010750		SHCS, SHLDR, 1 X 2.5. 3/4-10 THRD	2
19	42-080-088		5/0 MACHINE STR CHAIN, 34 LINKS	2
20	42-050-090		QUICK LINK, 5/16 LG	4
21	04-050-111		BEARING, ROLLING SHIELD	4



**PLUMBING  
FOR  
DUMP TANK CYLINDERS**

ITEM	PART NO	SERIAL NO OR YR	DESCRIPTION	QTY
1	33-061-202		CYLINDER, 3 X 43 X 1.75	2
2	42-024-047		TUBE, 1" X 84" HYDRAULIC	2
3	42-059-067		ADAPTER, 16MJ-12MJ	4
4	42-059-043		HOSE, 12M3K-12FJX-12FJX-70"	2
5	42-059-087		HOSE, 12M3K-12FJX-12FJX-124"	1
6	42-059-038		HOSE, 12M3K-12FJX-12FJX-105"	2
7	33-059-020		ADAPTER, 8MB-8MJ-90°	4
8	42-059-091		HOSE, 6M3K-8FJX-8FJX-12"	1
9	33-059-100		HOSE, 6M3K-8FJX-8FJX-54"	2
10	08-059-010		HOSE, 6M3K-8FJX-8FJX-190"	2
11	33-059-091		ADAPTOR, 8MJ-8MJ-8MJ	2
12	49-059-003		HOSE, 6M3K-8FJX-8FJX-100"	1
13	48-090035		CAPSCREW, 5/16 X 2 G5 PLT	3
14	66-010100		LOCKWASHER, 5/16 PLT	3
15	33-050-193		CLAMP, HOSE	3
16	33-050-160		COVER, PLATE	3

**3 X 43 X 1.75 HYDRAULIC CYLINDER**  
(33-061-202) (Used on Machines From 2014 to Present)

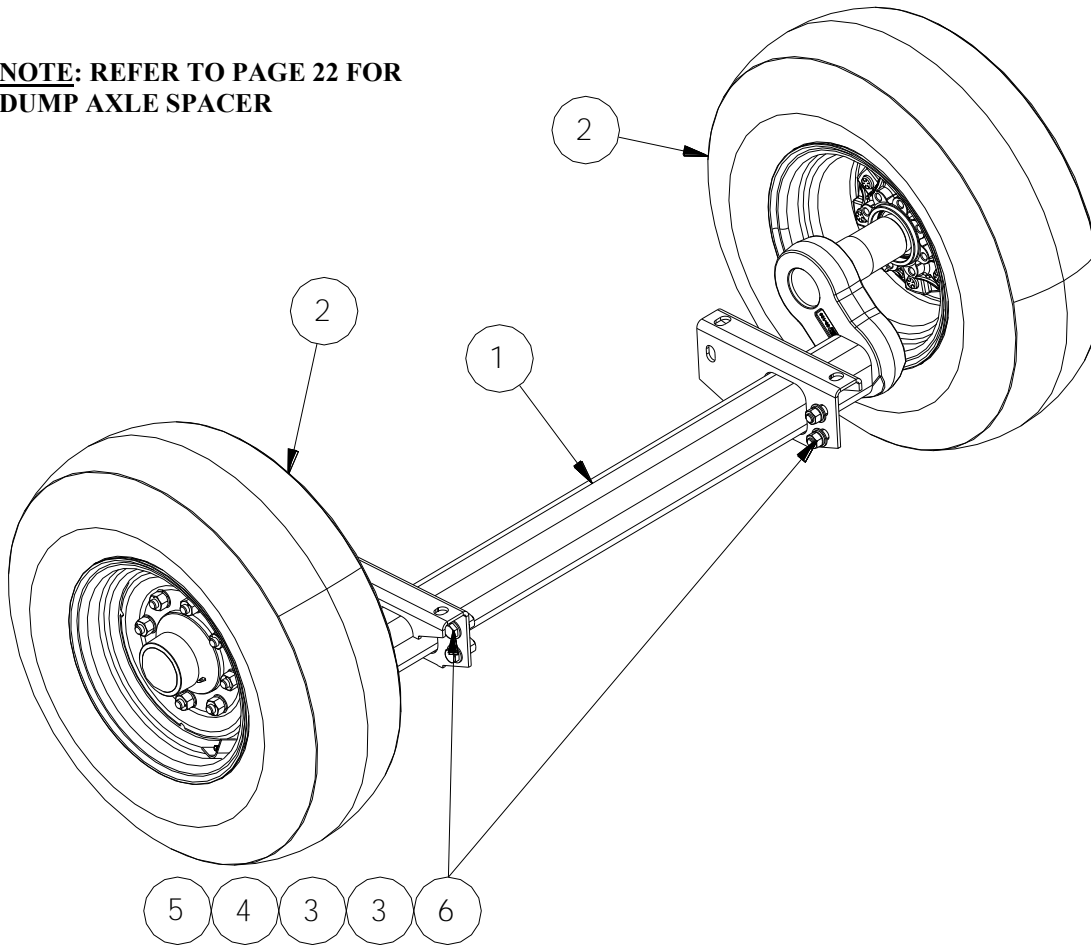
Bailey's Hydraulic Cylinder (33-061-202) will replace Energy's Hydraulic Cylinder (42-061-176).  
Bailey will not sale any repair parts except for a Seal Kit.

**USE SEAL KIT # 33-061-210**

---

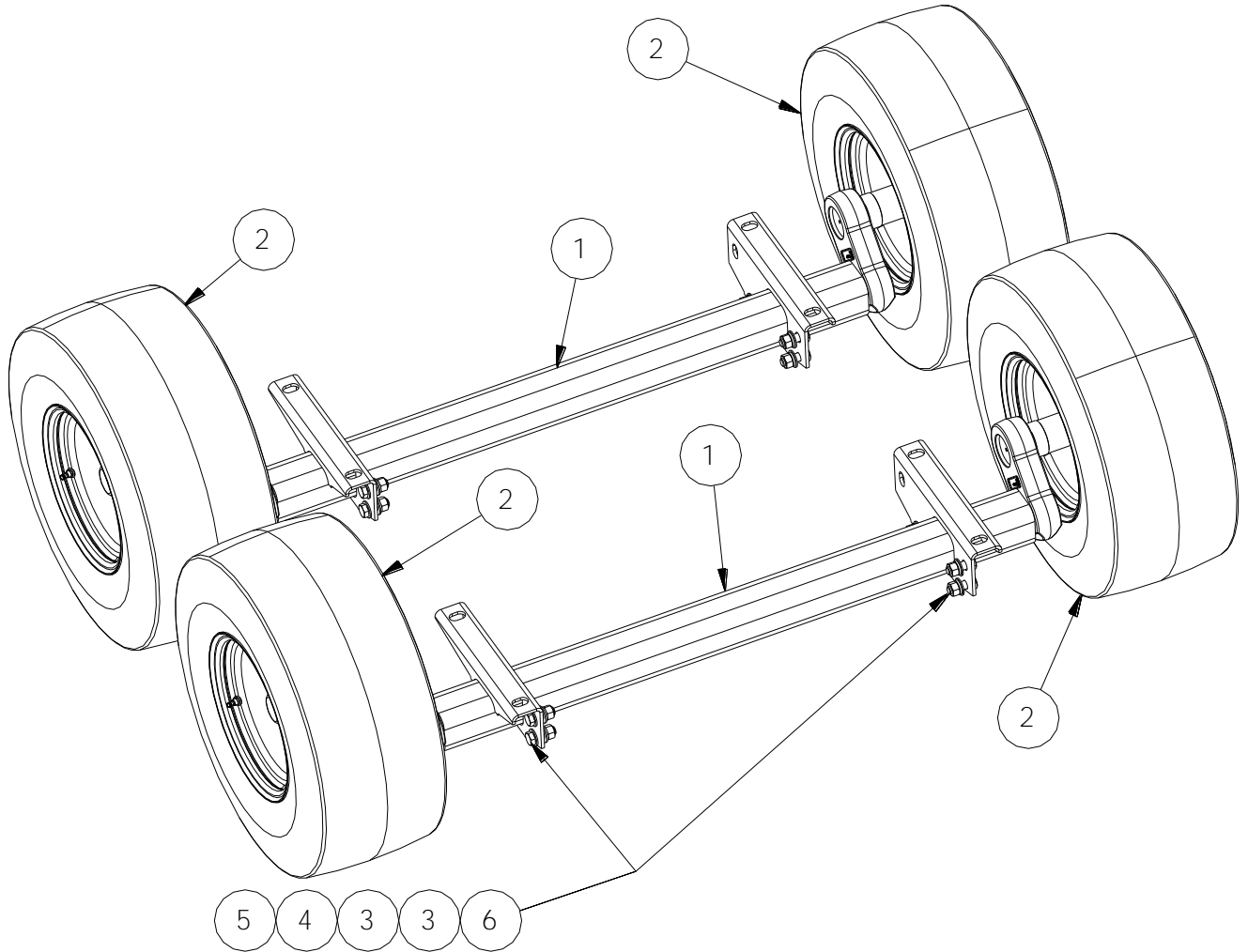
## 12 PLY SINGLE AXLE WHEEL

**NOTE: REFER TO PAGE 22 FOR  
DUMP AXLE SPACER**



ITEM	PART NUMBER	DESCRIPTION	QTY
1	42-058-018	AXLE, 10K DEXTER TORFLEX	1
2	42-081-023	12.5L16 12 PLY TIRE & WHEEL	2
3	62-020040	FLATWASHER, 5/8 SAE PLT	12
4	66-010300	LOCKWASHER, 5/8 PLT	6
5	68-010300	HEXNUT, 5/8 PLT	6
6	48-060250	CAPSCREW, 5/8 X 1-3/4 G5 PLN	6

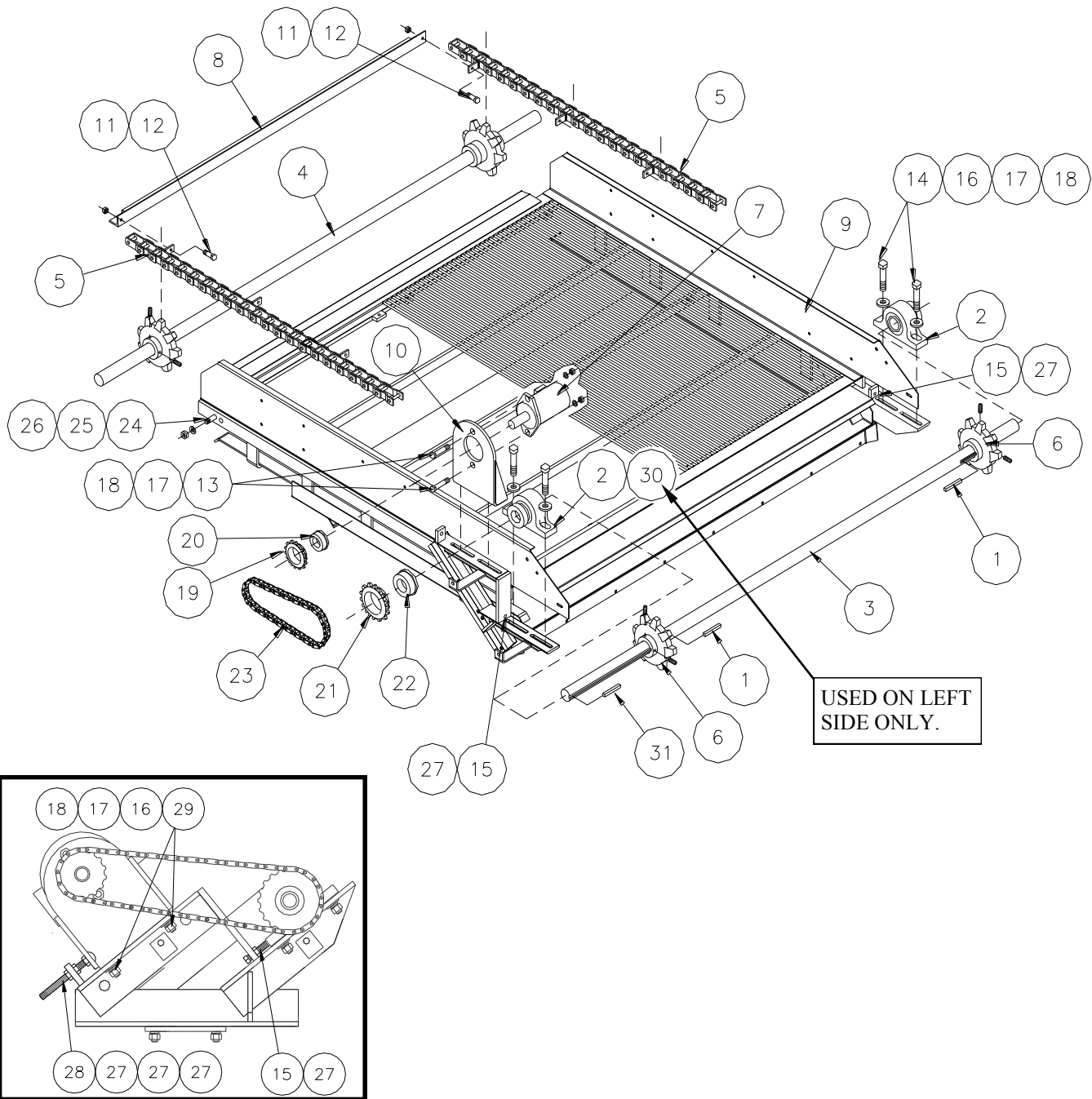
## TANDEM ARM AND WHEELS



ITEM	PART NUMBER	DESCRIPTION	QTY
1	42-058-019	AXLE, 7K TORQUE FLX, 40" OB, 66HF, UP22	2
2	42-058-020	TIRE & WHEEL, 26 X 12 X 12, 12PLY 12X9.5	4
3	62-020040	FLATWASHER, 5/8 SAE PLT	24
4	66-010300	LOCKWASHER, 5/8 PLT	12
5	68-010300	HEXNUT, 5/8 PLT	12
6	48-060250	CAPSCREW, 5/8 X 1-3/4 G5 PLN	12



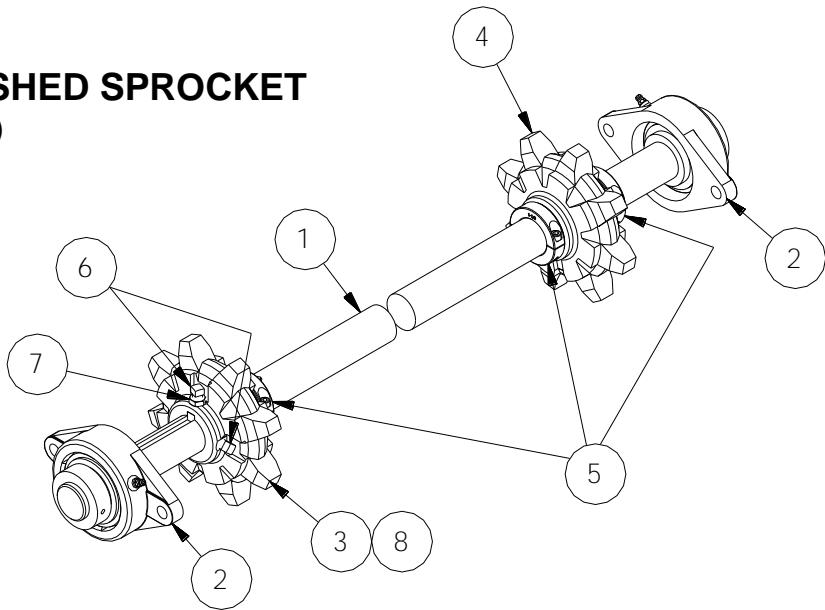
# CONVEYOR SIFTER FRAME



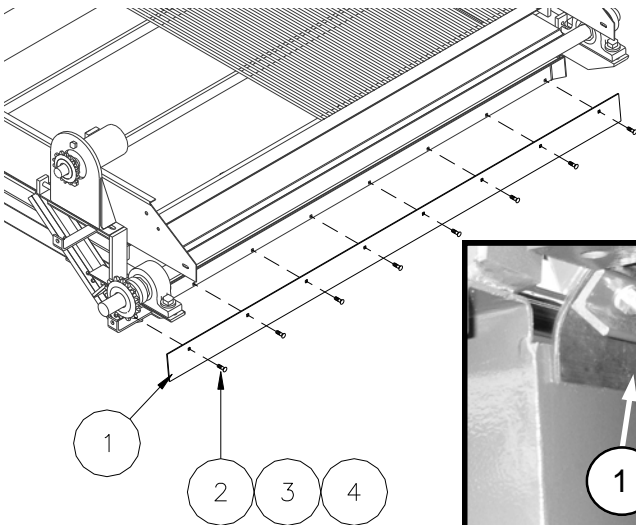
ITEM	PART NO	SERIAL NO OR YR	DESCRIPTION	QTY
1	33-026-087		KEY, 3/8 X 2 1/2	3
2	42-051-004		BEARING, 1 1/2 PILLOW	2
3	42-026-033		SHAFT, SIFTER (HD)	1
4	42-081-122		SHAFT, IDLER (HD)	1
5	42-052-047		CHAIN (667X-72), PAIR	1
6	42-052-009		SPROCKET (667X-8T)	2
	54-020080		SETSCREW, 5/16 X 3/8 ALLEN HD CUPPT	4

ITEM	PART NO	SERIAL NO OR YR	DESCRIPTION	QTY
7	42-061-186		MOTOR, HYD SIFTER (See Page 33)	1
	42-061-243		SEAL KIT	1
8	42-080-155		BAR, SIFTER (HD)	24
9	42-080-245		FRAME, CONVEYOR (HD)	1
10	42-080-252		MOUNT, SLIDING	1
11	48-090100		CAPSCREW, 3/8 X 1 G5 PLT	48
12	72-020030		LOCKNUT, 3/8 STOVER PLT	48
13	48-090596		CAPSCREW, 1/2 X 1 3/4 G5 PLT	2
14	48-090600		CAPSCREW, 1/2 X 2 G5 PLT	4
15	54-010262		SETSCREW, 1/2 X 3 1/2 CUPPT	2
16	62-010200		FLATWASHER, 1/2 STD PLT	6
17	66-010250		LOCKWASHER, 1/2 PLT	10
18	68-010250		HEX NUT, 1/2 PLT	10
19	42-052-052		SPROCKET, (H60SH15)	1
20	42-052-051		BUSHING, SH-1	1
21	42-052-029		SPROCKET, (H60SDS20)	1
22	42-052-065		BUSHING, SDS-1 1/2	1
23	42-052-063		CHAIN, RC60-60P	1
24	48-090950		CAPSCREW, 5/8 X 2	2
25	66-010300		LOCKWASHER, 5/8	2
26	68-010300		HEX NUT, 5/8	2
27	70-010100		JAM NUT, 1/2	5
28	52-050332		CARRIAGE SCREW, 1/2 X 5 1/2	1
29	52-050140		CARRIAGE SCREW, 1/2 X 1 1/2	2
30	33-050-076		GREASE FITTING, 1/4-28 90° (Left Side)	1
31	27-026-015		KEY, 3/8 X 1-5/8	1

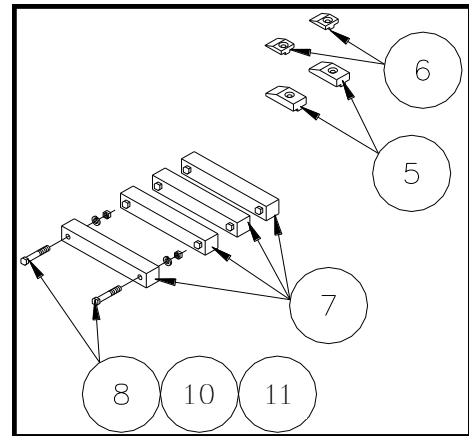
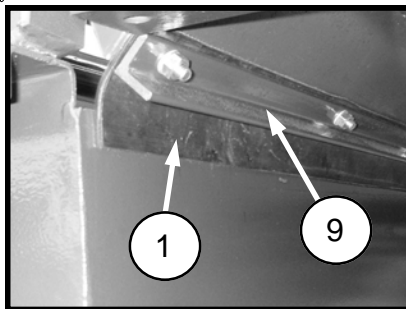
**IDLER SHAFT, SIFTER, BUSHED SPROCKET**  
(42-081-122)



ITEM	PART NO	SERIAL NO OR YR	DESCRIPTION	QTY
1	42-026-064		SHAFT, SIFTER, IDLER, 2017	1
2	33-051-011		BEARING UNIT, 1 1/2	2
3	42-052-009		SPROCKET, 667X-8T	1
4	42-052-075		SPROCKET, 667X-8T W/BUSHING	1
5	42-050-084		SPLIT COLLAR, 1 1/2	3
6	54-010100		SETSCREW, 3/8 X 3/4 SQ HD CUPPT	2
7	70-010051		JAM NUT, 3/8 HEX PLT	1
8	33-026-087		KEY, 3/8 X 2 1/2	1



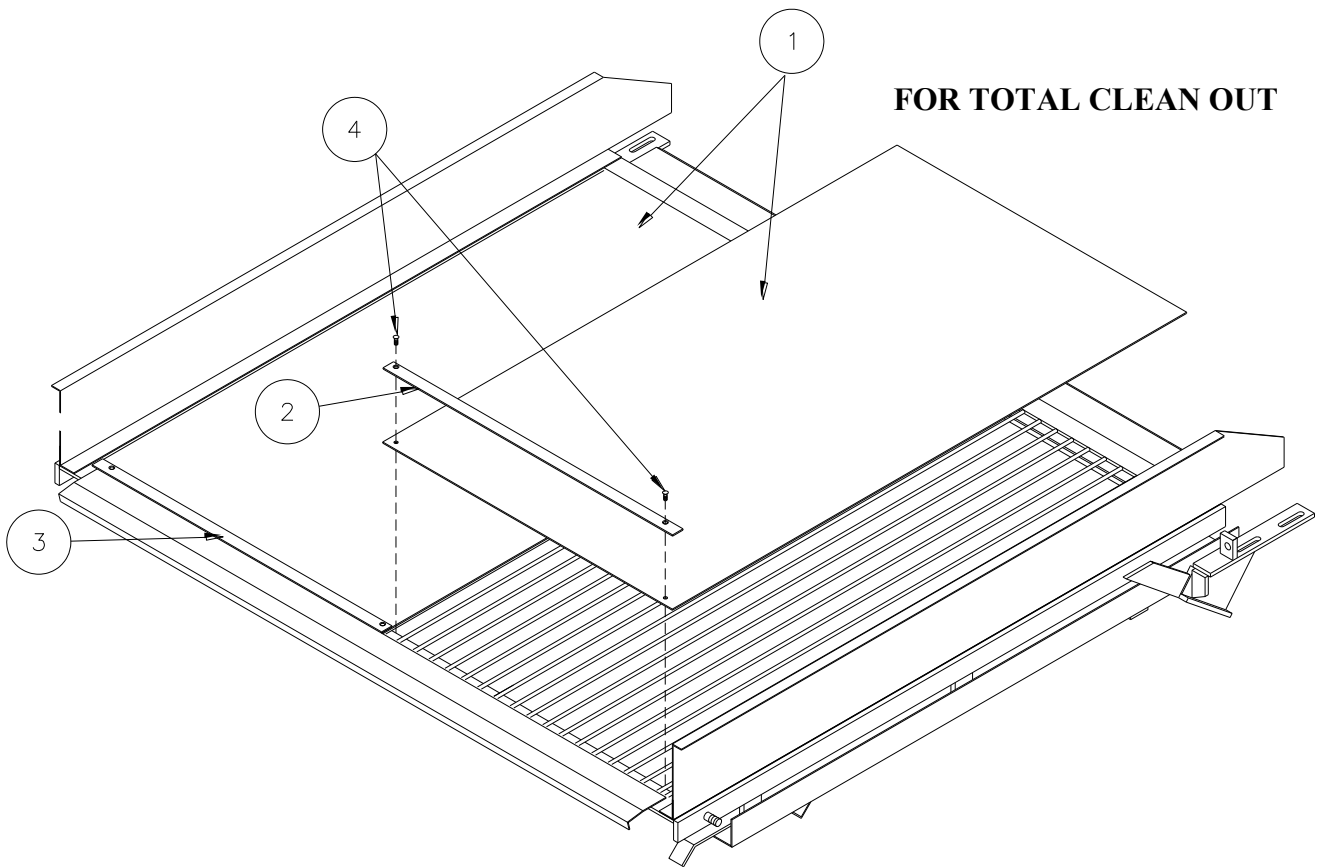
**SEAL, BLOCKS AND BUMP PADS**



ITEM	PART NO	SERIAL NO OR YR	DESCRIPTION	QTY
1	42-050-042		SEAL	1
2	52-050010		CARRIAGE SCREW, 5/16 X 1	8
3	66-010100		LOCKWASHER, 5/16	8
4	68-010100		HEX NUT, 5/16	8

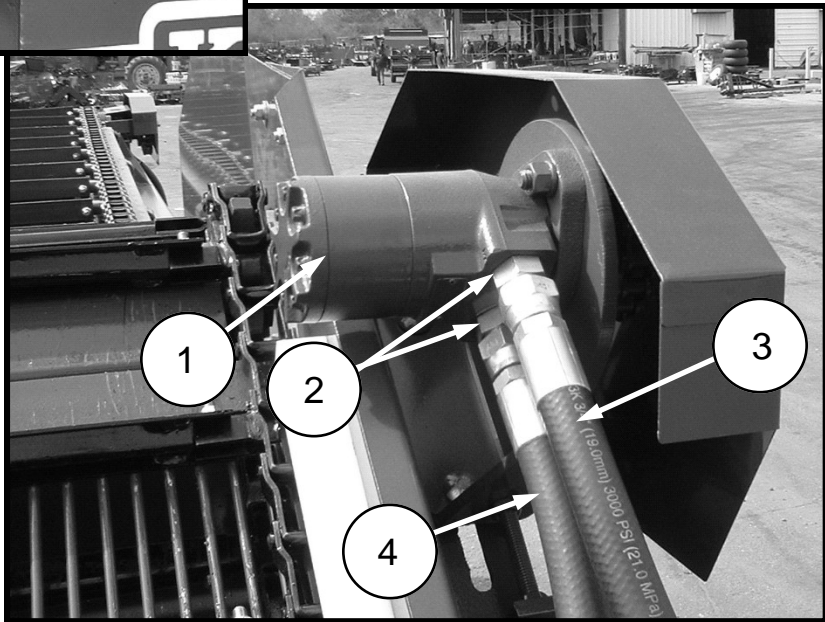
ITEM	PART NO	SERIAL NO OR YR	DESCRIPTION	QTY
5	42-026-043		BUMP PAD, TALL	2
6	42-026-029		PAD, BUMP	2
7	42-026-031		BLOCK, HOLD DOWN	4
8	48-090040		CAPSCREW, 5/16 X 2 1/4	8
9	42-025-092		STIFFENER, SIFTER SEAL	1
10	62-010050		FLATWASHER, 5/16	8
11	72-010025		LOCKNUT, 5/16	8

**SIFTER FRAME POLYETHYLENE PANELS**  
(42-082-013)



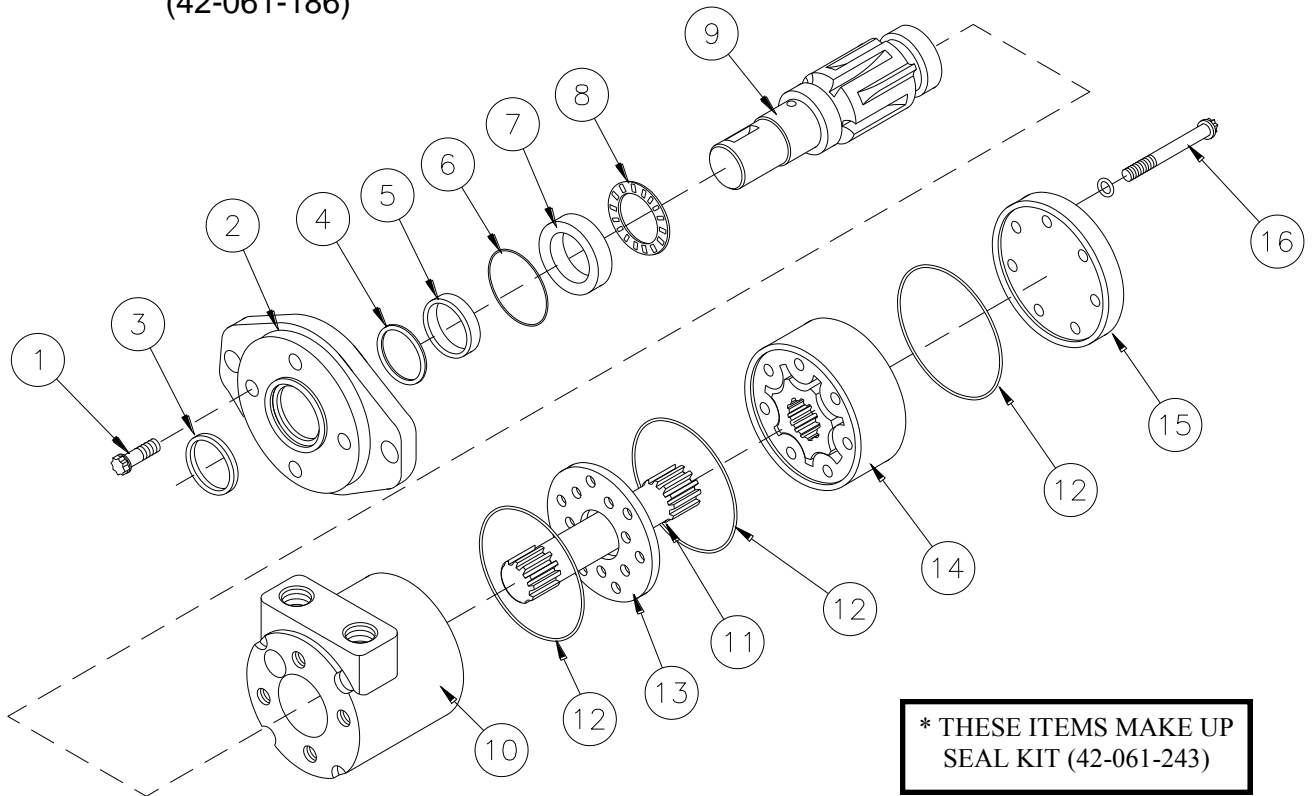
ITEM	PART NO	SERIAL NO OR YR	DESCRIPTION	QTY
1	42-027-160		PANEL, POLYETHYLENE	2
2	42-027-161		PLATE, LT HOLD DOWN	1
3	42-027-162		PLATE, RT HOLD DOWN	1
4	60-030401		CNTRSNK SCREW, 3/8 X 1 SOC HD	4

## SIFTER MOTOR HYDRAULICS



ITEM	PART NO	SERIAL NO OR YR	DESCRIPTION	QTY
1	42-061-186		MOTOR, HYDRAULIC (SIFTER)	1
2	42-059-053		ADAPTER, 12MJ-10MORB STRAIGHT	2
3	42-059-085		HOSE, 12M3K-12FJX-12FJX-43"	1
4	42-059-090		HOSE, 12M3K-12FJX-12FJX-48"	1

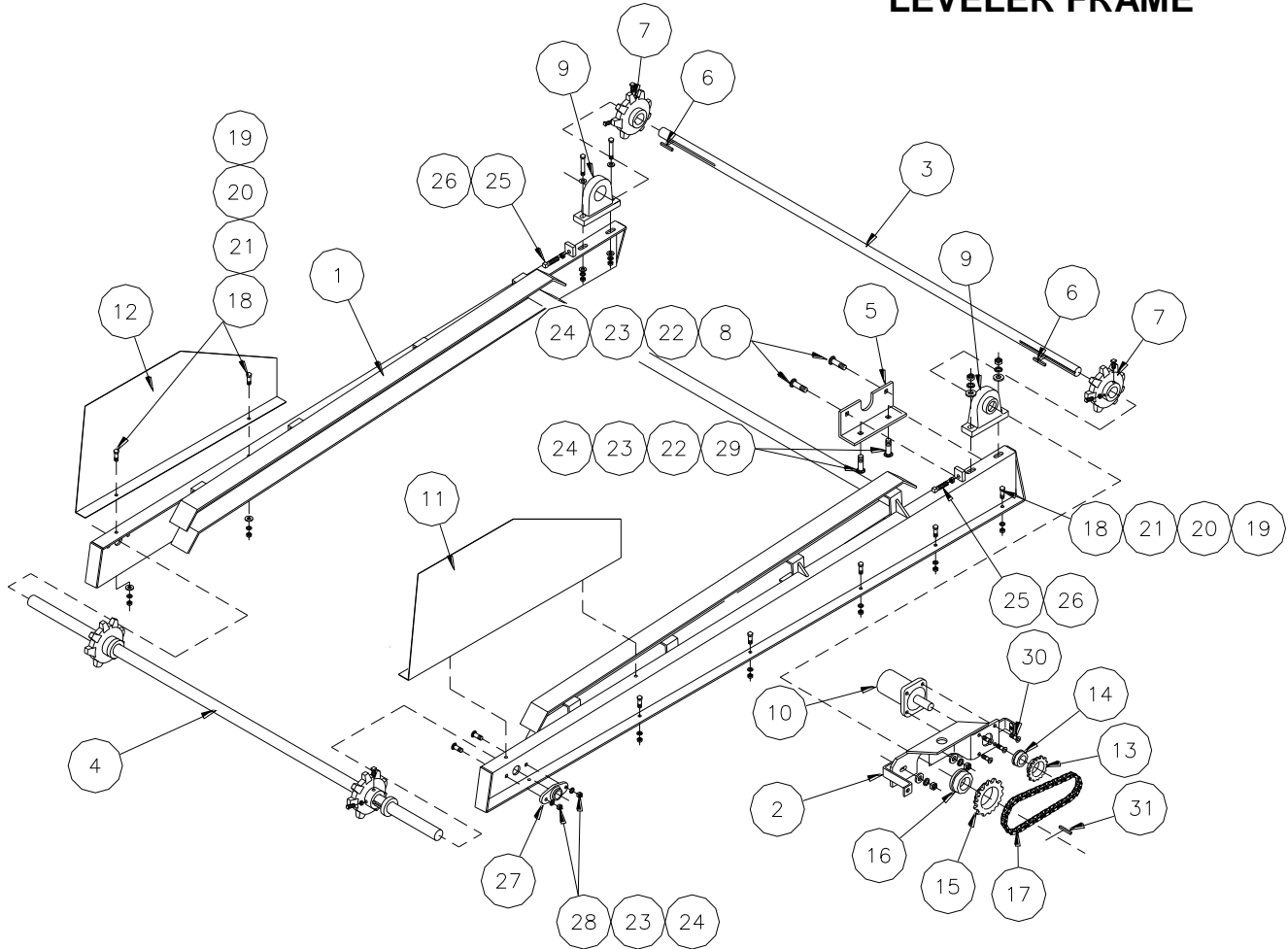
**SIFTER MOTOR**  
(42-061-186)



ITEM	PART NO	SERIAL NO OR YR	DESCRIPTION	QTY
1	42-061-070		SCREW, CAP	4
2	42-061-069		FLANGE MOUNTING (2-BOLT)	1
*3	42-061-098		SEAL, EXCLUSION	1
*4	42-061-099		WASHER, BACK-UP	1
*5	42-061-100		SEAL, PRESSURE	1
*6	42-061-101		SEAL	1
7	42-061-102		RACE, THRUST BEARING	1
8	42-061-103		BEARING, THRUST NEEDLE	1
9	42-061-104		SHAFT, OUTPUT	1
10	42-061-233		HOUSING, 7/8-14 O-RING PORTS	1
11	42-061-240		DRIVE	1
*12	42-061-235		SEAL	3
13	42-061-236		PLATE, SPACER	1
14	42-061-241		GEROTOR	1
15	42-061-238		CAP, END (NO PORT)	1
16	42-061-242		SCREW, CAP	7

\* These parts make up Seal Kit (42-061-243)

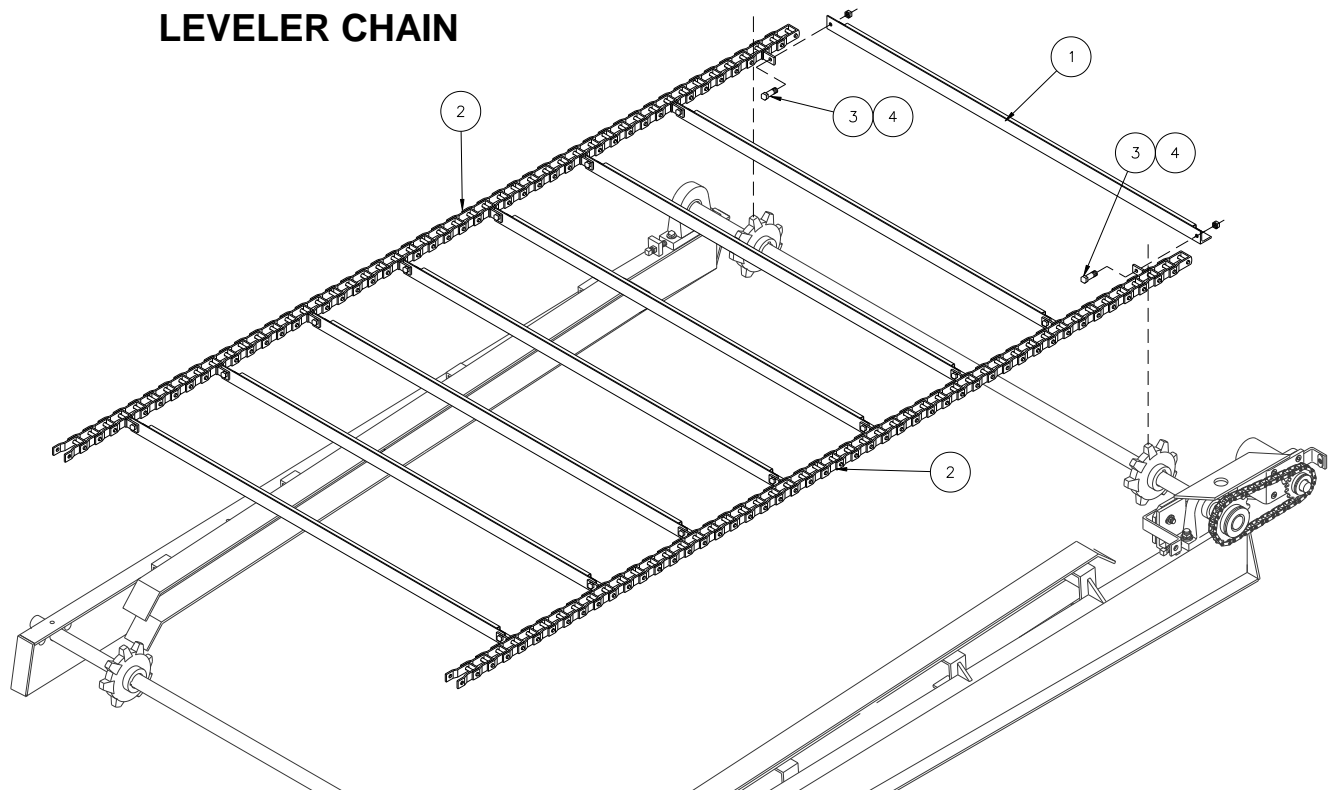
## LEVELER FRAME



ITEM	PART NO	SERIAL NO OR YR	DESCRIPTION	QTY
1	42-080-259		FRAME, LEVELER (DUMP)	1
2	42-080-255		BRACKET, LEVELER MOTOR	1
3	42-026-034		SHAFT, LEVELER H.D. (1 1/2")	1
4	42-081-122		SHAFT, IDLER (HD) (see page 34)	1
5	42-023-185		SUPPORT, LEVELER MOTOR	1
6	33-026-087		KEY, 3/8 X 2 1/2"	3
7	42-052-009		SPROCKET, (667X-8T)	4
8	52-050150		CARRIAGE SCREW, 1/2 X 1 3/4	2
9	42-051-004		BEARING, 1 1/2 PILLOW	2
10	42-061-187		MOTOR, HYD (LEVELER) (See page 37)	1
	42-061-243		SEAL KIT	1
11	42-027-190		SHIELD, LT LEVELER	1
12	42-027-191		SHIELD, RT LEVELER	1
13	42-052-052		SPROCKET, H60SH15	1
14	42-052-051		BUSHING, SH-1	1
15	42-052-029		SPROCKET, H60SDS20	1

ITEM	PART NO	SERIAL NO OR YR	DESCRIPTION	QTY
16	42-052-065		BUSHING, SDS 1 1/2	1
17	42-052-064		CHAIN, RC60H 40P	1
18	48-090100		CAPSCREW, 3/8 X 1 G5 PLT	16
19	68-010150		HEX NUT, 3/8 PLT	16
20	66-010150		LOCKWASHER, 3/8 PLT	16
21	62-010100		FLATWASHER, 3/8 PLT	16
22	62-010200		FLATWASHER, 1/2 PLT	6
23	66-010250		LOCKWASHER, 1/2 PLT	10
24	68-010250		HEX NUT, 1/2 PLT	10
25	54-010262		SETSCREW, 1/2 X 4 SQ HD G5 PLT	2
26	70-010100		JAM NUT, 1/2 PLT	2
27	33-051-011		BEARING UNIT, 1 1/2	2
28	52-050140		CARRIAGE SCREW, 1/2 X 1 1/2	4
29	52-050200		CARRIAGE SCREW, 1/2 X 2 3/4	4
30	60-030401		3/8 X 1 SOC HD COUNTER-SUNK	4
31	27-026-015		KEY, 3/8 X 1-5/8	1

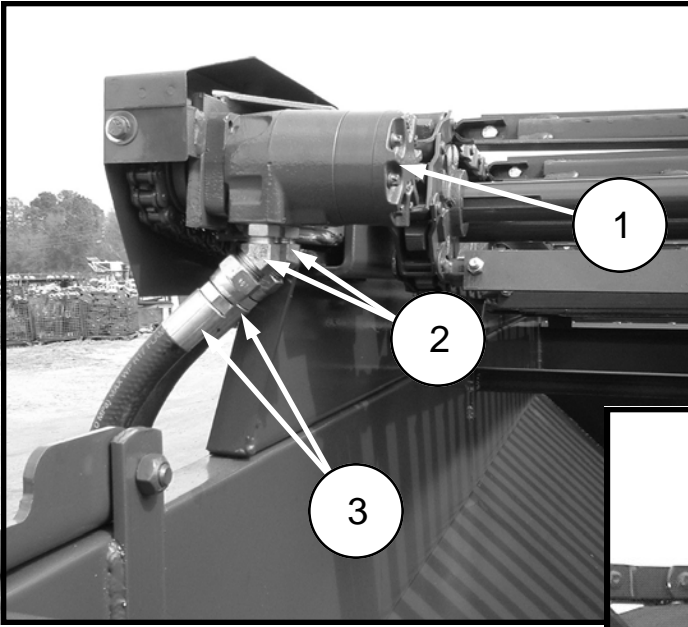
### LEVELER CHAIN



ITEM	PART NO	SERIAL NO OR YR	DESCRIPTION	QTY
1	42-080-150		BAR, LEVELER	24
2	42-052-062		CHAIN, (667X-96)PAIR	1
3	48-090100		CAPSCREW, 3/8 X 1 G5 PLT	48
4	72-020030		LOCKNUT, 3/8 STOVER G5 PLT	48



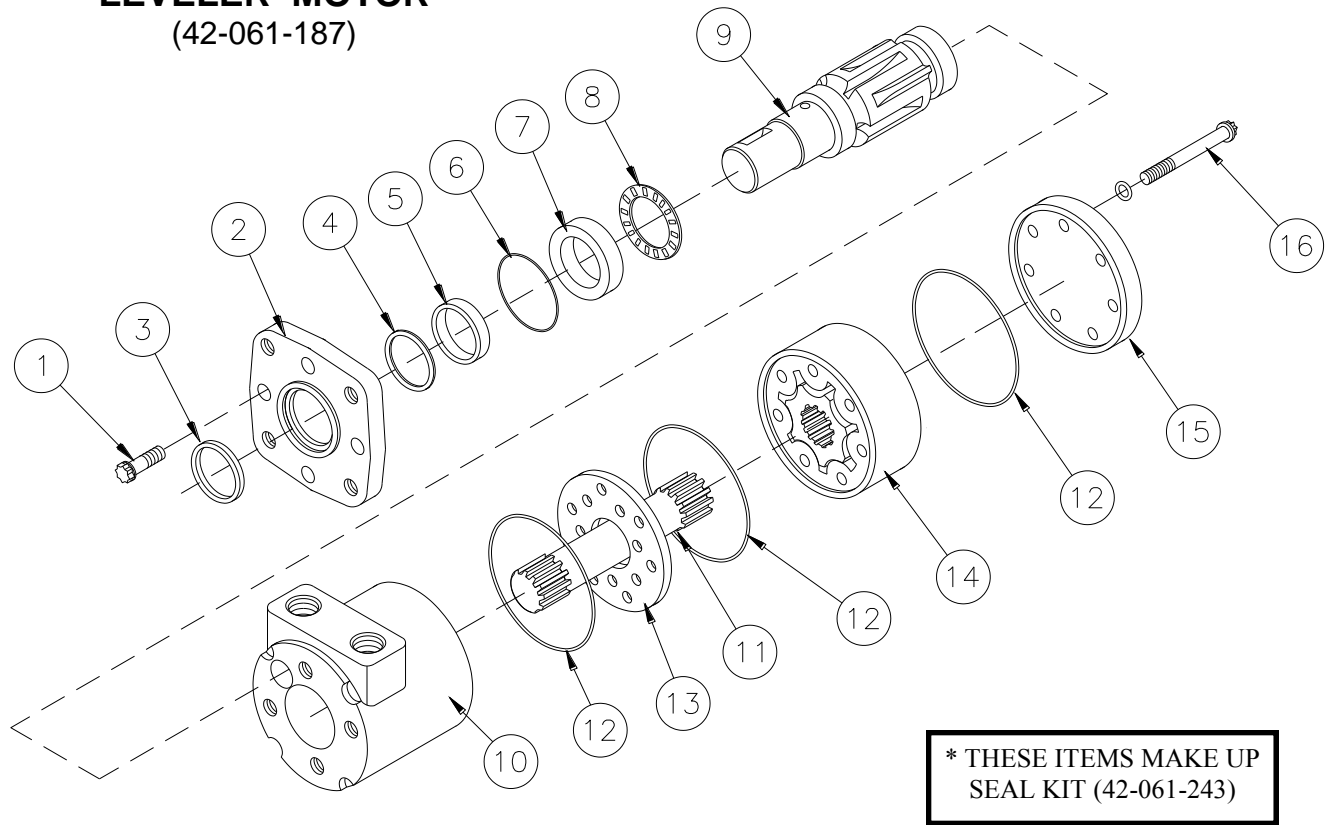
## LEVELER MOTOR HYDRAULICS



ITEM	PART NO	SERIAL NO OR YR	DESCRIPTION	QTY
1	42-061-187		MOTOR, LEVELER	1
2	42-059-097		ADAPTER, 12MJ-10MORB-45°	2
3	42-059-043		HOSE, 12M3K-12FJX-12FJX-70	2

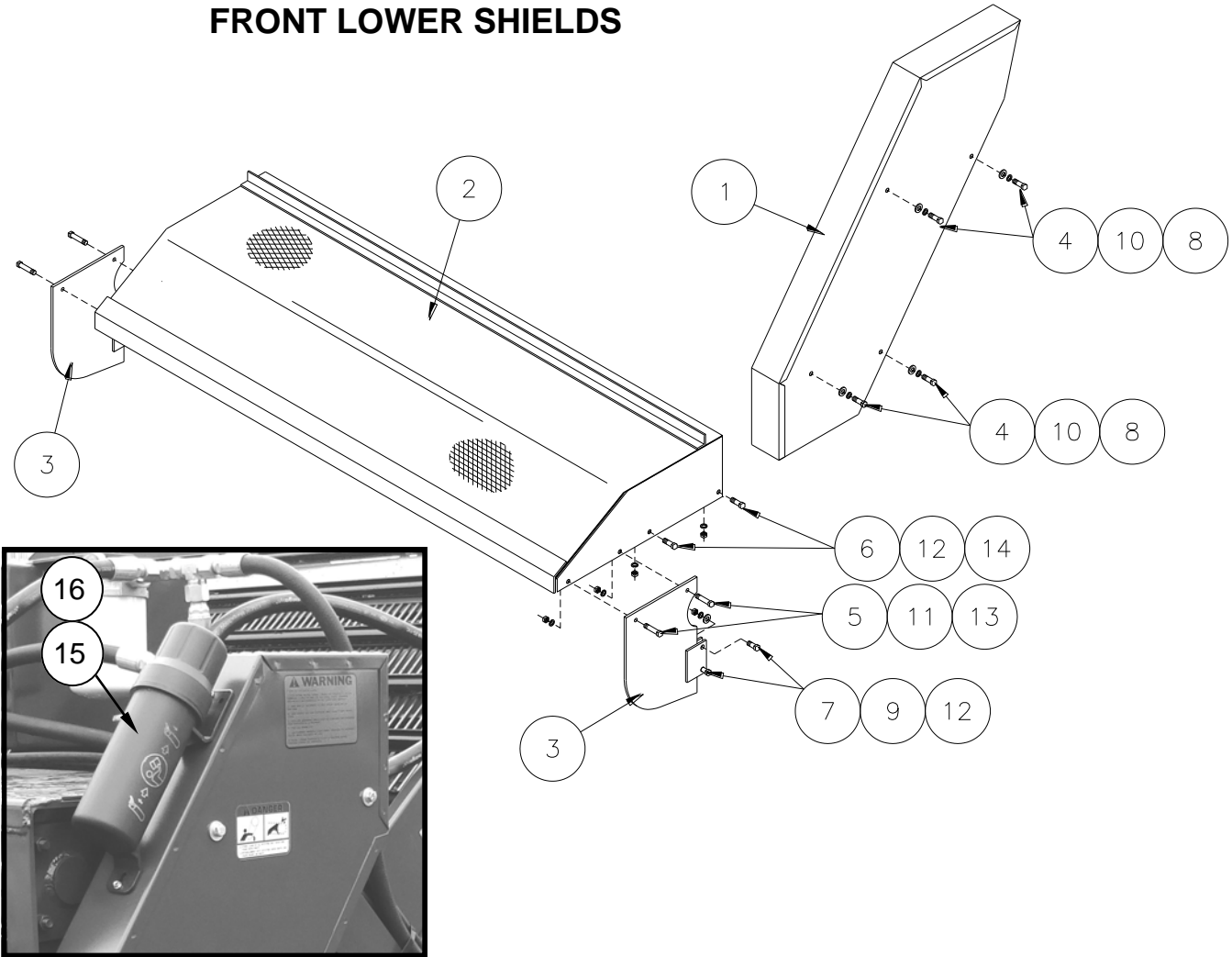
# LEVELER MOTOR

(42-061-187)



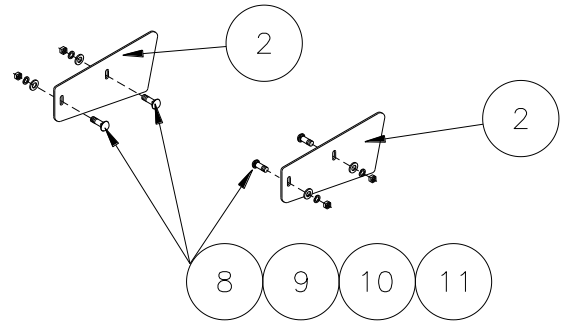
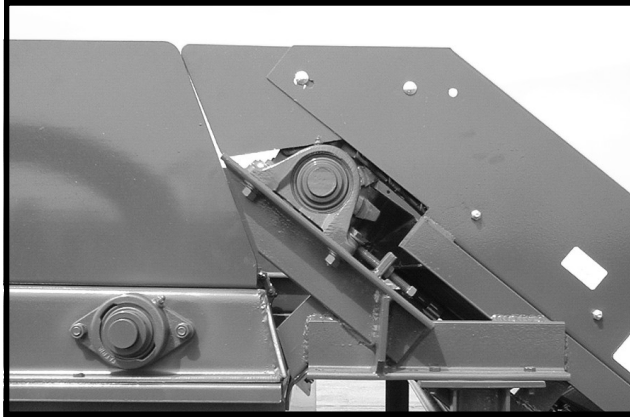
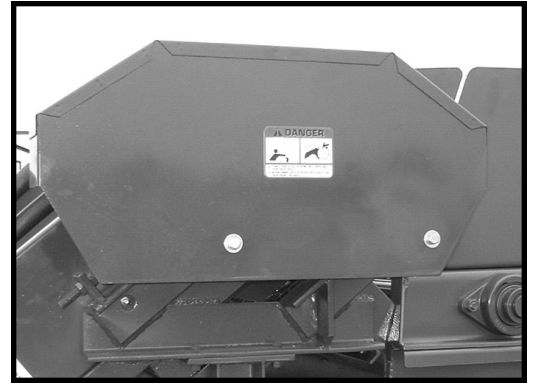
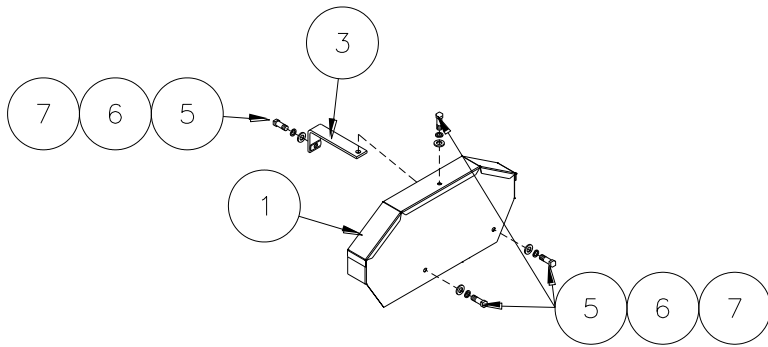
ITEM	PART NO	SERIAL NO OR YR	DESCRIPTION	QTY
1	42-061-070		SCREW, CAP	4
2	42-061-068		FLANGE MOUNTING (4-BOLT)	1
*3	42-061-098		SEAL, EXCLUSION	1
*4	42-061-099		WASHER, BACK-UP	1
*5	42-061-100		SEAL, PRESSURE	1
*6	42-061-101		SEAL	1
7	42-061-102		RACE, THRUST BEARING	1
8	42-061-103		BEARING, THRUST NEEDLE	1
9	42-061-104		SHAFT, OUTPUT	1
10	42-061-233		HOUSING, 7/8-14 O-RING PORTS	1
11	42-061-234		DRIVE	1
*12	42-061-235		SEAL	3
13	42-061-236		PLATE, SPACER	1
14	42-061-237		GEROTOR	1
15	42-061-238		CAP, END (NO PORT)	1
16	42-061-239		SCREW, CAP	7

# FRONT LOWER SHIELDS



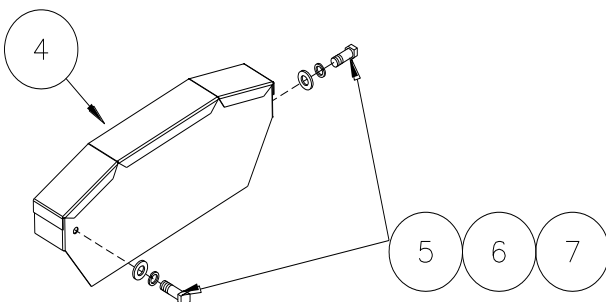
ITEM	PART NO	SERIAL NO OR YR	DESCRIPTION	QTY
1	42-080-074		SHIELD, MAIN DRIVE	1
2	42-080-091		SHIELD, FEEDER REEL	1
3	42-080-096		BLADE, SIDE	2
4	48-090100		CAPSCREW, 3/8 X 1 G5 PLT	4
5	48-090350		CAPSCREW, 7/16 X 1 1/4 G5 PLT	4
6	48-090625		CAPSCREW, 1/2 X 2 1/2 G5 PLT	4
7	48-090595		CAPSCREW, 1/2 X 1 1/2 G5 PLT	4
8	62-010100		FLATWASHER, 3/8 PLT	10
9	62-010100		FLATWASHER, 1/2 PLT	4
10	66-010150		LOCKWASHER, 3/8 PLT	10
11	66-010200		LOCKWASHER, 7/16 PLT	4
12	66-010250		LOCKWASHER, 1/2 PLT	8
13	68-010150		HEX NUT, 7/16 PLT	4
14	68-010250		HEX NUT, 1/2 PLT	4
15	49-050-012		CANNISTER, MANUAL PROTECTION	1
16	80-080000		DRILL & TAP SCREW, #12 X 1	2

## FRONT UPPER SHIELDS

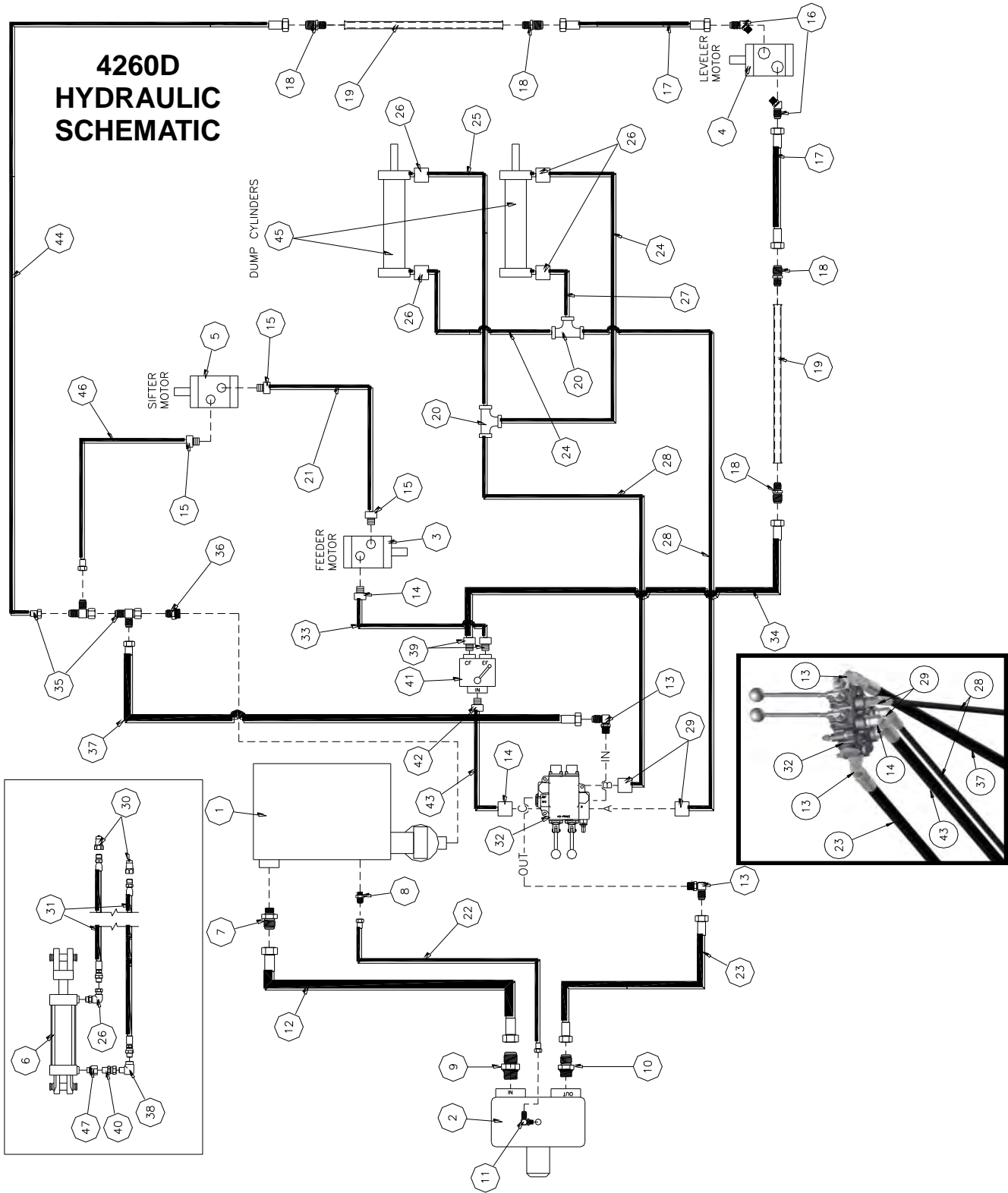


ITEM	PART NO	SERIAL NO OR YR	DESCRIPTION	QTY
1	42-080-258		SHIELD, SIFTER	1
2	42-027-206		SHIELD, SIFTER TOP	2
3	42-080-257		LEG, SHIFTER SHIELD	1
4	42-080-256		SHIELD, LEVELER DRIVE	1
5	48-090090		CAPSCREW, 3/8 X 34	6
6	62-010100		FLATWASHER, 3/8	6
7	66-010150		LOCKWASHER, 3/8	6
8	52-050005		CARRIAGE SCREW, 5/16 X 3/4	4
9	62-010050		FLATWASHER, 5/16 PLT	4
10	66-010100		LOCKWASHER, 5/16 PLT	4
11	68-010100		HEX NUT, 5/16 PLT	4

## REAR SHIELD



# 4260D HYDRAULIC SCHEMATIC



ITEM	PART NO	SERIAL NO OR YR	DESCRIPTION	QTY
1	42-061-259		RESERVOIR	1
2	42-061-013		PUMP, PTO (See Page 11)	1
3	42-061-188		MOTOR, FEEDER REEL (See Page 14)	1
4	42-061-187		MOTOR, LEVELER (See Page 37)	1
5	42-061-186		MOTOR, SIFTER	1

ITEM	PART NO	SERIAL NO OR YR	DESCRIPTION	QTY
6	33-061-203		CYLINDER, 3 X 6 X 1.25 (See Page 15)	1
7	42-059-069		ADAPTER, 20MJ-20MP	1
8	33-059-107		ADAPTER, 6MB-8MJ	1
9	42-059-056		ADAPTER, 20MJ-20MB	1
10	42-059-050		ADAPTER, 12MJ-12MB	1
11	42-059-048		ADAPTER, 8MJ-6MB-90°	1
12	42-059-034		HOSE, 20G4H-20FJX-20FJX-96"	1
13	42-059-095		ADAPTER, 12MB-12MJ-90°	2
14	42-059-059		ADAPTER, 12MJ-10MB-90°	1
15	42-059-053		ADAPTER, 12MJ-10MORB STRAIGHT	3
16	42-059-097		ADAPTER, 12MJ-10MORB-45°	2
17	42-059-043		HOSE, 12M3K-12FJX-12FJX-70"	2
18	42-059-067		ADAPTER, 16MJ-12MJ	4
19	42-024-047		TUBE, 1" X 84" HYDRAULIC	2
20	33-059-091		ADAPTER, 8MJ-8MJ-8MJ	2
21	42-059-085		HOSE, 12M3K-12FJX-12FJX-43"	1
22	42-059-040		HOSE, 6M3K-8FJX-8FJX-115"	1
23	42-059-033		HOSE, 12M3K-12FJX-12FJX-65"	1
24	33-059-100		HOSE, 6M3K-8FJX	2
25	49-059-003		HOSE, 6M3K-8FJX-8FJX-100"	1
26	42-059-022		ADAPTER, 8MB-8FPX-90°	5
27	42-059-091		HOSE, 6M3K-8FJX-8FJX-12"	1
28	08-059-010		HOSE, 6M3K-8FJX-8FJX-190"	2
29	42-059-079		ADAPTER, 8MJ-10MB-90°	2
30	47-059-002		QUICK COUPLER, 1/2" NPTF MALE	2
31	07-059-003		HOSE, 6M3K-8MB-8FJX-100"	2
32	42-061-175		CONTROL VALVE, DBL DIRECTIONAL	1
33	42-059-086		HOSE, 12M3K-12FJX-12FJX-30"	1
34	42-059-087		HOSE, 12M3K-12FJX-12FJX-124"	1
35	42-059-058		ADAPTER, 12MJ-12FJS-12MJ TEE	2
36	16-059-001		ADAPTER, 12MJ-16MORB STRAIGHT	1
37	42-059-038		HOSE, 12M3K-12FJX-12FJX-105"	1
38	08-059-006		ADAPTER, 8MP-8FP-90°	1
39	42-059-082		ADAPTER, 12MJ-8MP-45°	2
40	21-059-002		RESTRICTOR, 8MP-8FPX .062	1
41	09-061-006		FLOW CONTROL VALVE, ADJ.	1
42	42-059-083		ADAPTER, 12MJ-8MP STRAIGHT	1
43	42-059-088		HOSE, 12M3K-12FJX-12FJX-75"	1
44	42-059-038		HOSE, 12M3K-12FJX-12FJX-105"	1
45	42-061-202		CYLINDER, 3 X 43 X 1.75 (See Page 25)	2
46	42-059-090		HOSE, 12M3K-12FJX-12FJX-48"	1
47	21-061-028		ADAPTER, 8MB-8FP	1

The following is a list of serial numbers issued to our machines at the beginning of each year. To determine when a unit was made, find the range within which the particular serial number falls. It would have been produced between January 1 to December 31 of that year.

<b>YEAR</b>	<b>SERIAL NUMBERS</b>
1985	27986-29695
1986	29696-31095
1987	31096-33234
1988	33235-35548
1989	35549-38496
1990	38497-41771
1991	41772-44466
1992	44467-47001
1993	47002-48750
1994	48751-51549
1995	51551-54262
1996	54263-56661
1997	56662-59465
1998	59466-62097
1999	62098-63986
2000	63987-65692
2001	65693-67340
2002	67341-68699
2003	68700-70482
2004	70483-72646
2005	72647-74866
2006	74867-76368
2007	76369-77883
2008	77884-79891
2009	79892-80944
2010	80945-81775
2011	81776-83453
2012	83454-85092
2013	85093-86418
2014	86419-87790
2015	87791-89096
2016	89097-90089
2017	90090-



DEPENDABLE EQUIPMENT FOR PROGRESSIVE FARMING

*Visit us at [www.kelleymfg.com](http://www.kelleymfg.com)*



**KELLEY MANUFACTURING CO.**

80 Vernon Drive / Zip 31794  
P.O. Drawer 1467 / Zip 31793  
Tifton, GA



**MADE IN AMERICA**

Tel: 229-382-9393  
Toll Free: 1-800-444-5449  
Fax: 229-382-5259

Email Address: [info@kelleymfg.com](mailto:info@kelleymfg.com)